

MARREL



2026 Catalogue

Mounting Accessories

MARREL.com

Rubrique	Pages
1 – PUMPS	3 à 6
2 – OILTANK	7 à 10
3 – PIPING	11 à 26
4 – FIXINGS FOR AL3PA	27 à 39
FIXINGS FOR AL4 to AL12	40
FIXINGS FOR AL14 to AL26 - ALBA	41 à 57
5 – ACCESORIES FOR AL3PA	58
6 – STABILIZERS	59 à 60
7 – REAR UNDER RUN PROTECTION	61 à 64
8 – SIDE PROTECTION	65 à 66
9 – BOX	67 à 69
10 – EXTENDABLE BAC	70
11 – REAR AXLE MUDGUARDS	71 à 73
12 – FIRE EXTINGUISHER AND WORK LIGHT BOX	74 à 76
13 – OTHER ACCESSORIES	77 à 88
CRANE SUBFRAME	79 à 81
LIGHT BRACKETS	82
SAFETY CONES – WHEEL CHOCKS	83
TOW HITCH	84 à 85
CAMERA	86 à 88
14 – SIGNALING EQUIPMENT	89

MARREL Recommendations

(to be adapted according to use)

AMPLIROLL® Model	AL3	AL4	AL5	AL6	AL8-10	AL12	
Pump (cm ³)	8	8					Oil tank (L)
	11	8					
	16			25			
	20			25			
	25			25			
	32						
	41					25-45-60	
	60						

Applicable range

AMPLIROLL® **URBAN**
AMPLIROLL® **FLEX**

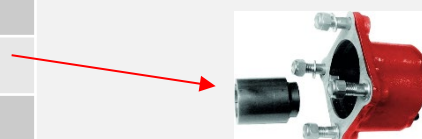
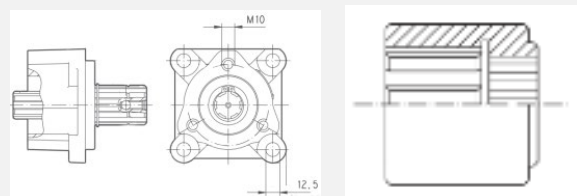
- Gear pump (without suction pipe)

Reference	Cylinder (cm ³)	Max Pressure (bar)	Max Speed (rpm)	Weight (kg)
127284Z	8	325	2000	4,8
124814T	11	325	2000	4,8
112483F	16	325	2000	5,2
123270P	20	290	2000	5,3



- Accessories for gear pumps

Reference	DESCRIPTION
128635L	fixings + seal
111520N	Spacer
111521B	Adapter for zf
117682K	Suction pipe kit for ø32 hose
030102W	Spacer adapter 6/8 + divider 4/3



MARREL Recommendations

(to be adapted according to use)

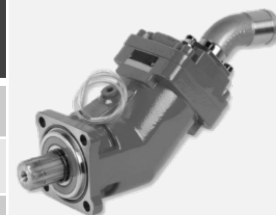
AMPLIROLL® Model	AL3	AL4	AL5	AL6	AL8-10	AL12	
Pump (cm ³)	8	8					Oil tank (L)
	11	8					
	16			25			
	20			25			
	25			25			
	32						
	41					25-45-60	
	60						

Applicable range

AMPLIROLL® **URBAN**
 AMPLIROLL® **FLEX**

- Fixed displacement pumps (with suction pipe)

Reference	Cylinder (cm ³)	Max Pressure (bar)	Max Speed (rpm)	Max Torque (Nm)	Pipe for hose	Weight (kg)
104129U	25	350	2750	148	42	9,75
104130Z	32	350	2700	190	42	11,55
104131N	41	350	2550	243	42	11,6



- By-pass valve for fixed displacement pumps

Reference	Voltage (V)	PUMPS	Weight (kg)
106849G	24	De 25 à 63 cm ³	3,6

MARREL Recommendations

(to be adapted according to use)

AMPLIROLL® Model		AL14	AL16	AL18	AL20	AL22	AL24	AL26	
Pump (cm ³)	41	90-120-150-250							Oil tank (L)
	50								
	63								
	80								

Applicable range

AMPLIROLL® HIGH

- Fixed displacement pump (with suction pipe)

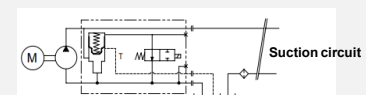
Reference	Cylinder (cm ³)	Max Pressure (bar)	Max Speed (rpm)	Max Torque (Nm)	Pipe for hose	Weight (kg)
104131N	41	350	2550	243	42	11,6
104132P	50	350	2450	292	2"	11,65
104133Q	63	350	2300	362	2"	11,7
104134R	80	350	2150	460	2"	15,3
128632F	XR 80	400	2350	539	2"	15,4



FOR ELECTRIC CHASSIS

- By-pass valve for fixed displacement pumps

Reference	Voltage (V)	Pumps	Weight (kg)
106849G	24	25 to 63 cm ³	3,6
106850D	24	80 cm ³	3,6
131522R	24	XR 80 cm ³	3,6



- By-pass valve for Roquet Group

Reference	Group	Weight (kg)
101044X	406	1

- Pump double flow

Reference	Cylinder (cm ³)	Suction port	Discharge port	Max Pressure (bar)	Weight (kg)
455646H	PAC 2x32	G1 1/2 "	2x G 3/4"	400	16
116413C	PAC 2x40	G1 1/2"	2x G 3/4"	400	17
452989X	PA 2x50	G2"	2x G 3/4"	400	23,5
119720E	PA 2X75	G2"	2x G 3/4"	400	26,8



MARREL Recommendations

(to be adapted according to use)

AMPLIROLL® Model		AL14	AL16	AL18	AL20	AL22	AL24	AL26	
Pump (cm ³)	41	90-120-150-250							Oil tank (L)
	50								
	63								
	80								

Applicable range

AMPLIROLL® HIGH

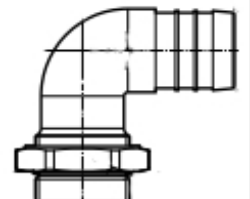
- Variable displacement pump (with suction pipe)

Reference	Cylinder (cm ³)	Suction port	Max Pressure (bar)	Max Torque (Nm)	Couple Max (Nm)	Weight (kg)
115323Q	92 SH	G1"1/2	400	1900	483	26,8
118019W	92 SIH	G1"1/2	380	1900	483	26,8



- Suction pipe and hose

Reference	Type	For hose (mm)	For port
117656Y	90°	50	G1" 1/2
117657Z	90°	50	G2"
117658A	Straight	50	G1"1/2
117659B	Straight	50	G2"



- Emergency stop in cabin

Reference	Type	Emergency stop dimensions
105611Y	By-pass actuating box for 1 emergency stop	130x75x74
122623C	By-pass actuating box for 2 emergency stop	140x75x74
122637U	Additional emergency stop - mounting on truck outside	68 x 68 x 53



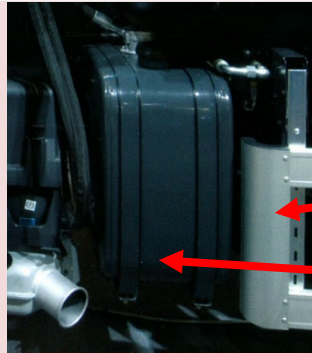
POSSIBLE INSTALLATION EXAMPLES FOR TANKS

A. SIDE TANK

SIDE CHASSIS

Applicable range

AMPLIROLL® URBAN
AMPLIROLL® FLEX
AMPLIROLL® HIGH



SIDE CHASSIS fixings

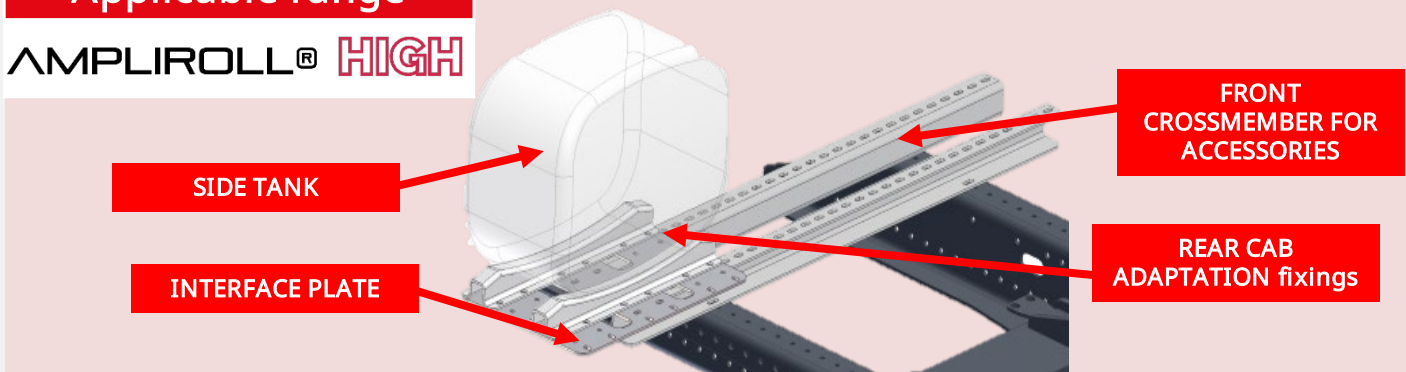
SIDE TANK

REAR CAB SIDE

Applicable range

AMPLIROLL® HIGH

Note: Frame rail extensions may be required if necessary.



SIDE TANK

INTERFACE PLATE

FRONT CROSSMEMBER FOR ACCESSORIES

REAR CAB ADAPTATION fixings

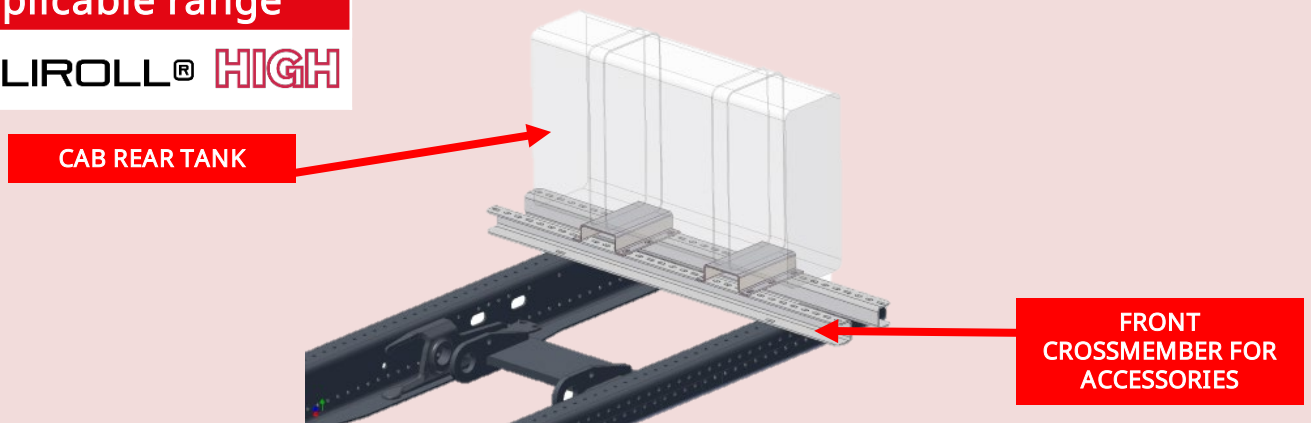
B. OILTANK BEHIND THE CAB

CAB REAR

Applicable range

AMPLIROLL® HIGH

Note: Frame rail extensions may be required if necessary.



CAB REAR TANK

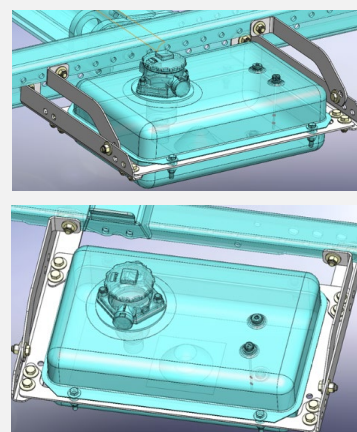
FRONT CROSSMEMBER FOR ACCESSORIES

A. SIDE TANK

SIDE CHASSIS

- Oil tank :

Reference	Total / oil volume (L)	Remarks	Material
123368Z	8	Supplied with integrated filter	Painted steel
123369A	15	Supplied with integrated filter	Painted steel
086897G	25	Supplied with integrated filter	Painted steel
086896F	45	Supplied with integrated filter	Painted steel
086895E	60	Supplied with integrated filter	Painted steel



Applicable range

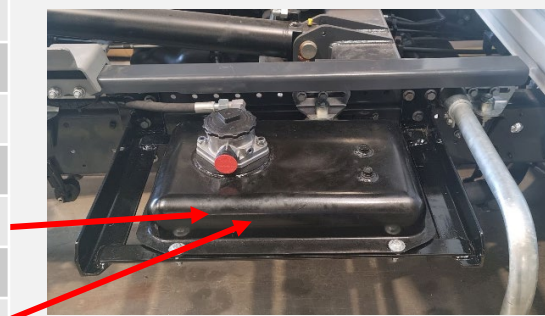
AMPLIROLL® URBAN
AMPLIROLL® FLEX

- Suction pipe :

Reference	Type	For hose (mm)	Adaptable to tank
454127Q	90°	42	25 and 45 L
438726Y	90°	2"	45 L
120493G	90°	42	15 L
112403P	For 8 L tank and CASAPPA pump		

- Supports de fixation :

Reference	Applicable tank (L)	Applicable equipment
123366X	8	AL3PA
116440T	15	AL4 / 5
116446M	25	AL4 / 5
116449Y	15	AL6
116450V	25	AL6
132889U	25	AL6
116453L	25	AL8 / 10
132874B	25	AL4/5/8/10
100434W	25 - 45	AL12
465089Z	45 - 60	Others



2 - OILTANK

MARREL

Applicable range

AMPLIROLL® HIGH

A. SIDE TANK

- Oil Tank :

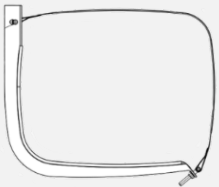
Reference	Total / oil volume (L)	L x H x D (mm)	Material
118226S	92/72	350-500-640	Painted steel
118227T	120/94	450-500-640	Painted steel
118228C	150/120	550-500-640	Painted steel
126355U	250/195	900-500-640	Painted steel
119774G	92/72	350-500-640	Aluminum
119775H	120/94	450-500-640	Aluminum
119776A	150/120	550-500-640	Aluminum



Note: Tank 126355U includes brackets

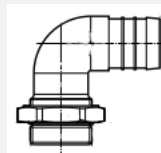
SIDE CHASSIS

- Attachment brackets



Reference	For Oil Tank
117640C	92L
117643T	120L et 150L

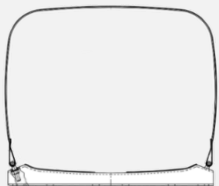
- Suction pipe



Reference	Type	For hose (mm)	For port
117656Y	90°	50	G1"1/2

REAR CAB SIDE

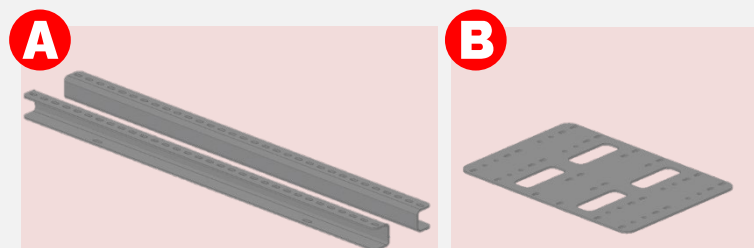
- Attachment brackets



Reference	For Oil Tank
117641Z	92L
117644U	120L et 150L

- Side mounting behind the cab

Reference	Dimensions (mm)
A 117928R	Front crossmembers for accessories
B 117938K	Interface plate for rear cab fixings



B. OILTANK BEHIND THE CABIN

Applicable range

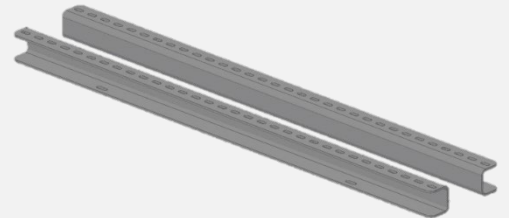
AMPLIROLL® HIGH

- Oil-tank behind the cabin

Reference	Total / oil volume (L)	Dimensions L x H x D (mm)	Illustration
PAINTED OILTANK			
126352R	180/147	1150-638-270	
126356V	250/225	1560-638-270	
126387E	150/120	1130-700-200 Horizontal	
128693A	135/120	860-638-270 Horizontal	
ALUMINUM OILTANK			
129826P	135/120	860-638-270	
129825N	180/165	1150-638-270	

- Oil-tank behind the cabin

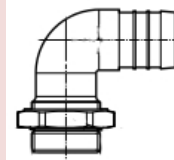
Reference	DESCRIPTION
117928R	Front crossmembers for accessories



- Suction pipe

Reference	Type	For hose (mm)	For port
117656Y	90°	50	G1"1/2
117658A	Droit	50	G1"1/2

A



B



Note.: Apply a sealing product to the threads when installing the suction pipe on the valve.

- Accessories for Oil-tank

Reference	DESCRIPTION
119499W	Isolation valve – direct connection at tank outlet



Applicable range

AMPLIROLL® **URBAN**
 AMPLIROLL® **FLEX**

PUMP/OILTANK

- Suction hose kits + clamps

Reference	Diameter (mm)	Length (m)
112403P	For 8L tank and 8 cm ³ pump	
117629V	32	3
117628U	42	5



- Suction pipe :

Reference	Diameter (mm)	Length (m)
117632Q	32	20
117631P	42	20

- Adaptation kits :

Diameter (mm)	Additional piping	Suction piping
32	112404Q	112403P
42	126826D	475940G

PUMP/DISTRIBUTOR

- Pump pressure hose :

Reference	Pump	Hose length (m)
112404Q	CASAPPA	2,1
117633R	63-50-41 PA2x32 - PA2x40 - PA 2x50 - PAC 2x40	2,5
117635K	25	2

Applicable range

AMPLIROLL® URBAN
AMPLIROLL® FLEX

PUMP-TANK CONNECTION

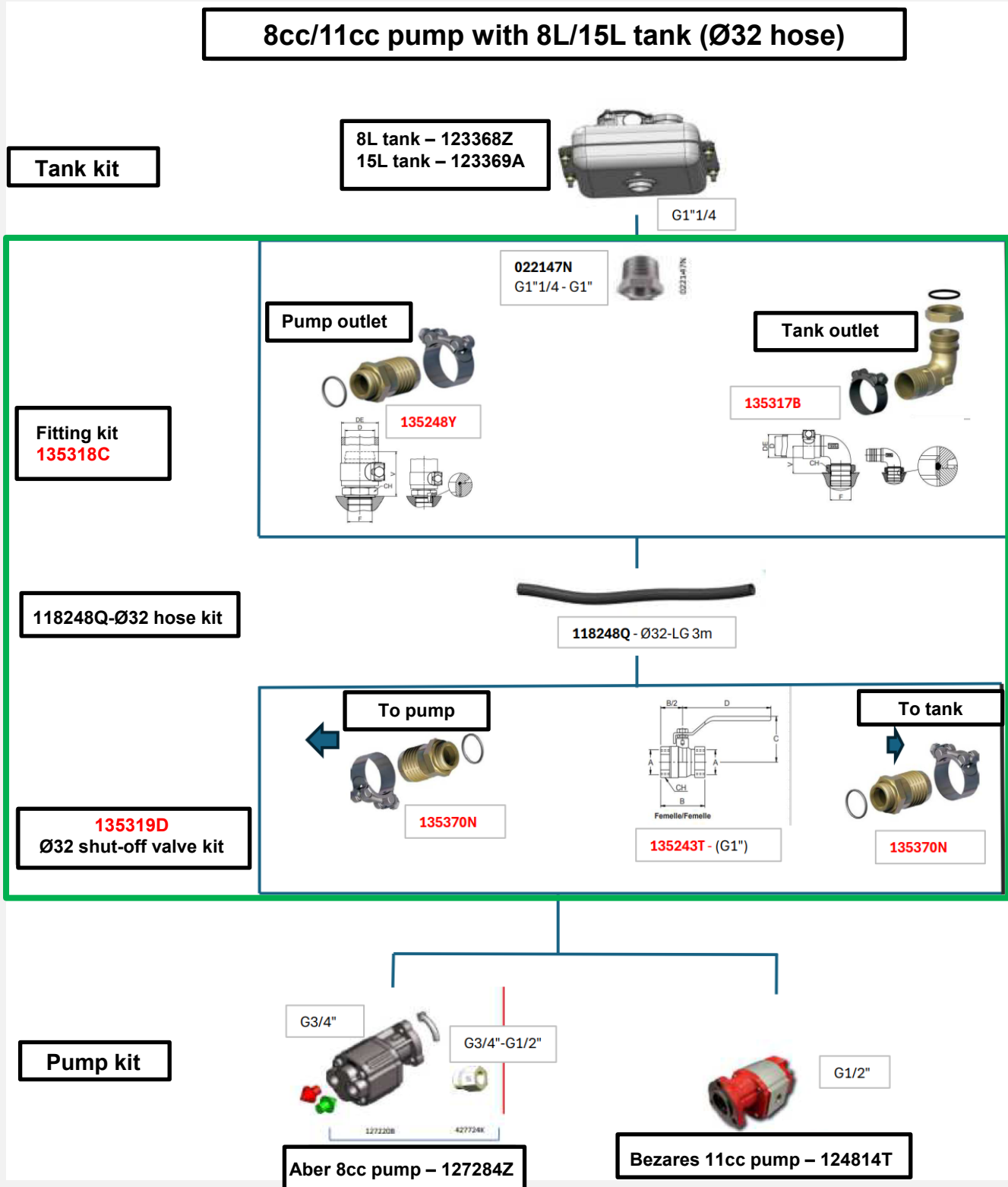
MODEL	PUMP				HOSE	OILTANK		
	Size	Code	Ø Pump outlet	Pressure setting		Ø	Volume L	
AL3PA	8	127284Z 124814T	G3/4	280/290	Ø 32	8L	15L	G1"1/4
	11	124814T	G1/2	280/290	Ø 32	8L	15L	
	11	124814T	G1/2	280/290	Ø42	25L		Pipe Ø42
AL4 – AL5	16	112483F	G1/2	280/315	Ø42	15L		G1"1/4
	16	112483F	G1/2	280/315	Ø42	25L	45L	Pipe Ø42
	20	123270P	G1/2	280/315	Ø42	25L	45L	
	25	104129U	Pipe Ø42	280/315	Ø42	25L	45L	
AL6	25	104129U	Pipe Ø42	310/340	Ø42	25L	45L	
AL8	32	104130Z	Pipe Ø42	350	Ø42	25L	45L	Pipe Ø42
	41	104131N	Pipe Ø42	350	Ø42	45L	60L	
AL10	32	104130Z	Pipe Ø42	350	Ø42	25L	45L	Pipe Ø42
	41	104131N	Pipe Ø42	350	Ø42	45L	60L	
AL12	41	104131N	Pipe Ø42	350	Ø42	45L	60L	Pipe Ø42
	50	104132P	Pipe 2"	350	Ø50 (2")	45L	60L	

Applicable range

AMPLIROLL® URBAN
AMPLIROLL® FLEX

PUMP-TANK CONNECTION

8cc/11cc pump with 8L/15L tank (Ø32 hose)

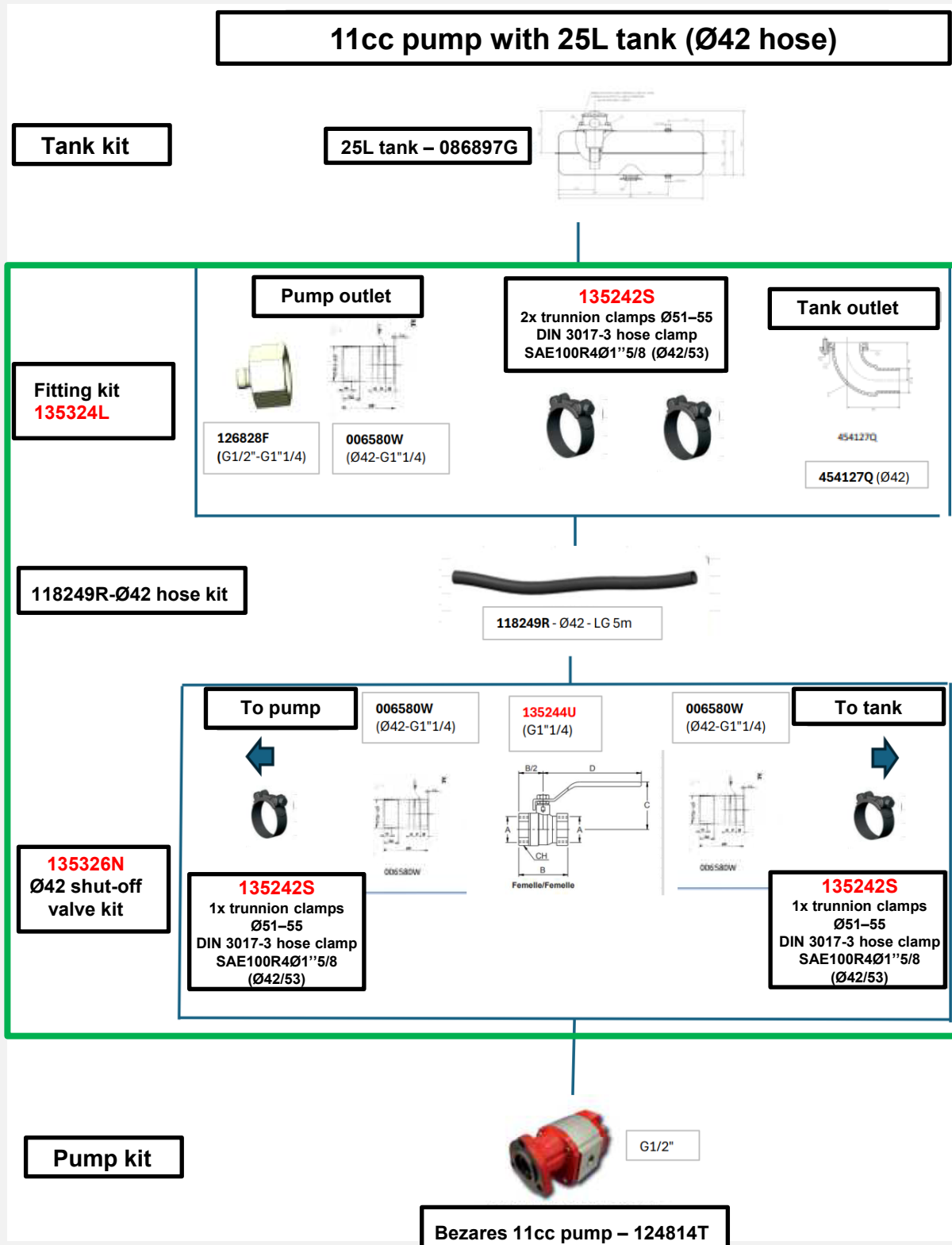


Applicable range

AMPLIROLL® **URBAN**
AMPLIROLL® **FLEX**

PUMP-TANK CONNECTION

11cc pump with 25L tank (Ø42 hose)



Applicable range

AMPLIROLL® **URBAN**
 AMPLIROLL® **FLEX**

PUMP-TANK CONNECTION

16cc pump with 15L tank (Ø42 hose)

Tank kit

15L tank – 123369A



G1"1/4

Fitting kit
135331T

Pump outlet

135242S

2x trunnion clamps Ø51–55
 DIN 3017-3 hose clamp
 SAE100R4Ø1"5/8 (Ø42/53)

Tank outlet



126828F
(G1/2"–G1"1/4)

006580W
(Ø42–G1"1/4)



120493G

118249R-Ø42 hose kit



118249R - Ø42 - LG 5m

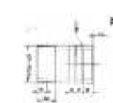
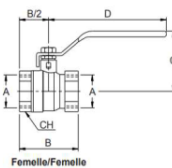
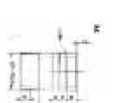
To pump

006580W
(Ø42–G1"1/4)

135244U
(G1"1/4)

006580W
(Ø42–G1"1/4)

To tank



135326N
 Ø42 shut-off
 valve kit

135242S

1x trunnion clamps
 Ø51–55
 DIN 3017-3 hose clamp
 SAE100R4Ø1"5/8
 (Ø42/53)

135242S

1x trunnion clamps
 Ø51–55
 DIN 3017-3 hose clamp
 SAE100R4Ø1"5/8
 (Ø42/53)

Pump kit



G1/2"

Casappa 16cc pump – 112483F

Applicable range

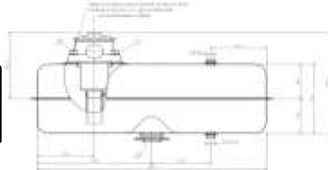
AMPLIROLL® **URBAN**
AMPLIROLL® **FLEX**

PUMP-TANK CONNECTION

16cc/20cc pump with 25L/45L tank (Ø42 hose)

Tank kit

25L tank – 086897G
45L tank – 086896F



Fitting kit
135324L

Pump outlet

126828F
(G1/2"-G1"1/4)

006580W
(Ø42-G1"1/4)

135242S

2x trunnion clamps Ø51-55
DIN 3017-3 hose clamp
SAE100R4Ø1"5/8 (Ø42/53)

Tank outlet

454127Q
454127Q (Ø42)

118249R-Ø42 hose kit

118249R - Ø42 - LG 5m

135326N
Ø42 shut-off
valve kit

To pump

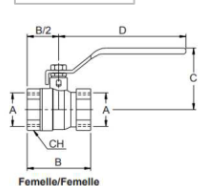
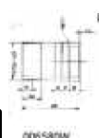
006580W
(Ø42-G1"1/4)

135244U
(G1"1/4)

006580W
(Ø42-G1"1/4)

To tank

135242S
1x trunnion clamps
Ø51-55 DIN 3017-3



135242S
1x trunnion clamps
Ø51-55 DIN 3017-3

Pump kit



G1/2"

Casappa 16cc pump – 112483F
Casappa 20cc pump – 123270P

Applicable range

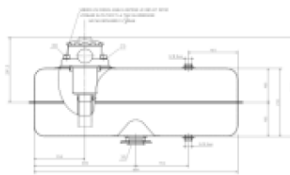
AMPLIROLL® **URBAN**
AMPLIROLL® **FLEX**

PUMP-TANK CONNECTION

25cc / 32cc / 41cc pump with 25L / 45L / 60L tank (Ø42 hose)

Tank kit

25L tank – 086897G
45L tank – 086896F
60LL tank – 086895E



Fitting kit
135332U

135242S
2x trunnion clamps Ø51–55
DIN 3017-3 hose clamp
SAE100R4Ø1"5/8 (Ø42/53)



454127Q (Ø42)



118249R-Ø42 hose kit



118249R - Ø42 - LG 5m

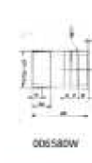
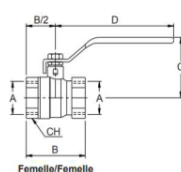
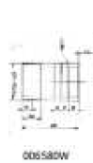
To pump

006580W
(Ø42-G1"1/4)

135244U
(G1"1/4)

006580W
(Ø42-G1"1/4)

To tank



135326N
Ø42 shut-off
valve kit

135242S
1x trunnion clamps
Ø51–55 DIN 3017-3

135242S
1x trunnion clamps
Ø51–55 DIN 3017-3

Pump kit

Pump with Ø42 suction hose
25cc – 105129U
32cc – 104130Z
41cc – 104131N



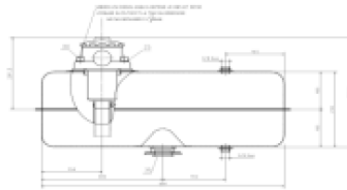
Applicable range

AMPLIROLL® FLEX

PUMP-TANK CONNECTION

50cc / 63cc pump with 45L / 60L tank (2" / Ø50 hose)

Tank kit



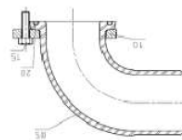
60L tank – 086895E
45L tank – 086896F

Fitting kit
135332U

115706Z
trunnion clamp Ø59–63
DIN 3017-3 hose clamp
SAE100R4Ø2" (Ø50/62)



438726Y (Ø50)



118250N-Ø50 hose kit



118250N - Ø50 - LG.5M

To pump

117658A
(Ø50-G1"1/2)



115706Z
trunnion clamp Ø59–63
DIN 3017-3 hose clamp
SAE100R4Ø2" (Ø50/62)



102759R
Low-pressure shut-off
valve, female/female,
G1"1/2

117658A
(Ø50-G1"1/2)



To tank



115706Z
trunnion clamp Ø59–63
DIN 3017-3 hose clamp
SAE100R4Ø2" (Ø50/62)

135335X
Ø50 shut-off
valve kit

Pump kit



50cc pump with 2" (Ø50)
suction pipe
104132P



63cc pump with 2" (Ø50)
suction pipe
104133Q

Applicable range

AMPLIROLL® HIGH

PUMP/OILTANK

- Suction hose kits (with 2 clamps) :

Reference	Diameter (mm)	length (m)
117627K	50	5

- Suction hose :

Reference	Diameter (mm)	Length (m)
112788Y	50	25



PUMP/OILTANK

- Pump pressure hose :

Reference	Pump	Hose length (m)
117633R	63-50-41 PA2x32 - PA2x40 - PA 2x50 - PAC 2x40	2,5
117634J	80	2,5



- Return hose kit for right-hand tank position :

Reference	DESCRIPTION
117759F	Rigid pipe + 20S bulkhead fittings
123599N	Rigid pipe + 25S bulkhead fittings



- Hoses for pump-to-tank return line :

Reference	Position	Length (m)
117637M	Rear side tank or behind-cab tank on the right-hand side AL14-22	5
125243E	Rear side tank or behind-cab tank on the right-hand side AL24-26	5
117638W	Rear side tank or behind-cab tank on the left-hand side AL14-22	5
125244F	Rear side tank or behind-cab tank on the left-hand side AL24-26	5
090646B	Chassis-mounted side tank on the right-hand side	1,5



Applicable range

AMPLIROLL® HIGH

PUMP-TANK CONNECTION

	PUMP				HOSE	OILTANK		
MODEL	Size	Code	Ø Pump outlet	Pressure setting	Ø	Volume L		Ø Tank outlet
AL14S	50	104132P	Pipe 2"	270/320	Ø50 (2")	90L (118227T)	120L (118227T)	G1"1/2
AL16S AL18S	63	104133Q		290/340			120L (118227T)	
AL20S AL22S & SL AL24 S & SL AL26 S & SL	80	104134R		150L (118228C)				
AL14 à AL26 Oil-tank behind the cabin	63	104133Q	Pipe 2"	290/340	Ø50 (2")	135L	180L 126352R- IM01	G1"1/2
	80	104134R				150L 126387E- IM01	250L 126356V- IM01	
Pump double flow	PAC 2x32	455646H	G1"1/2	350 MAXI	Ø50 (2")	135L	180L 126352R- IM01	G1"1/2
	PAC 2x40	116413C						
	PAC 2x50	452989X	G2"					
Variable displacement pump	92 SH	115323Q	G1"1/2	380	Ø50 (2")	135L	180L 126352R- IM01	G1"1/2
	92 SIH	118019W						
Articulated Jib								
AL14 PAS	50	104132P	Pipe 2"	270/320	Ø50 (2")	90L 118226S	120L 118227T	G1"1/2
AL16 PAS AL18 PAS	63	104133Q		290/340			120L 118227T	
AL20 PAS AL22 PAS & SL AL24 PAS & SL	80	104134R		150L 118228C				

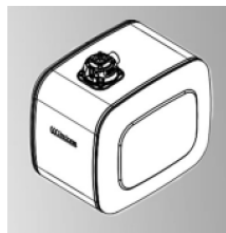
Applicable range

AMPLIROLL® HIGH

PUMP-TANK CONNECTION

50cc / 63cc / 80cc pump with 90L / 120L / 150L tank (2" / Ø50 hose)
 Direct connection of the shut-off valve to the tank side outlet, G1"1/2

Side-mounted
 tank kit



90L tank – 118226S
 120L tank – 118227T
 150L tank – 118228C

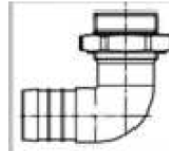
Tank side outlet: G1"1/2

Fitting kit
 135336Y

115706Z
 trunnion clamp Ø59–63
 DIN 3017-3 hose clamp
 SAE100R4Ø2" (Ø50/62)



117656Y
 Elbow suction pipe
 G1"1/2 – Ø50



119499W
 Shut-off valve, male/female,
 G1"1/2



118250N-Ø50 hose kit



118250N - Ø50 - LG.5M

Pump kit



Pump with 2" (Ø50) suction pipe

50cc – 104132P
 63cc – 104133Q
 80cc – 104134R

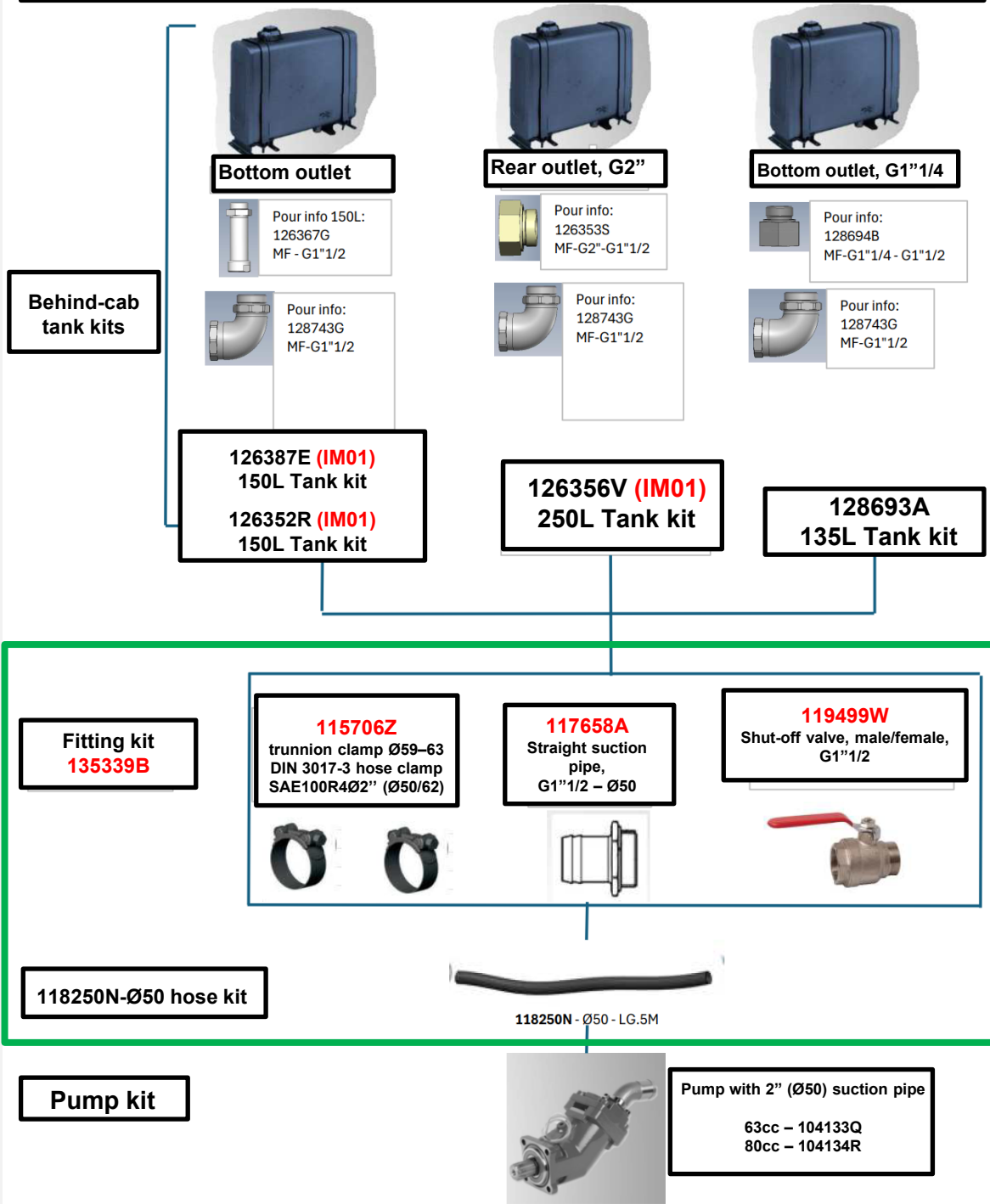
Applicable range

AMPLIROLL® HIGH

PUMP-TANK CONNECTION

Behind-cab version (AL14 to AL26)

63cc / 80cc pump with 135L / 150L / 180L / 250L tank and 2" / Ø50 hose
(tank outlet: bottom or rear, G1"1/2, with or without adapter)

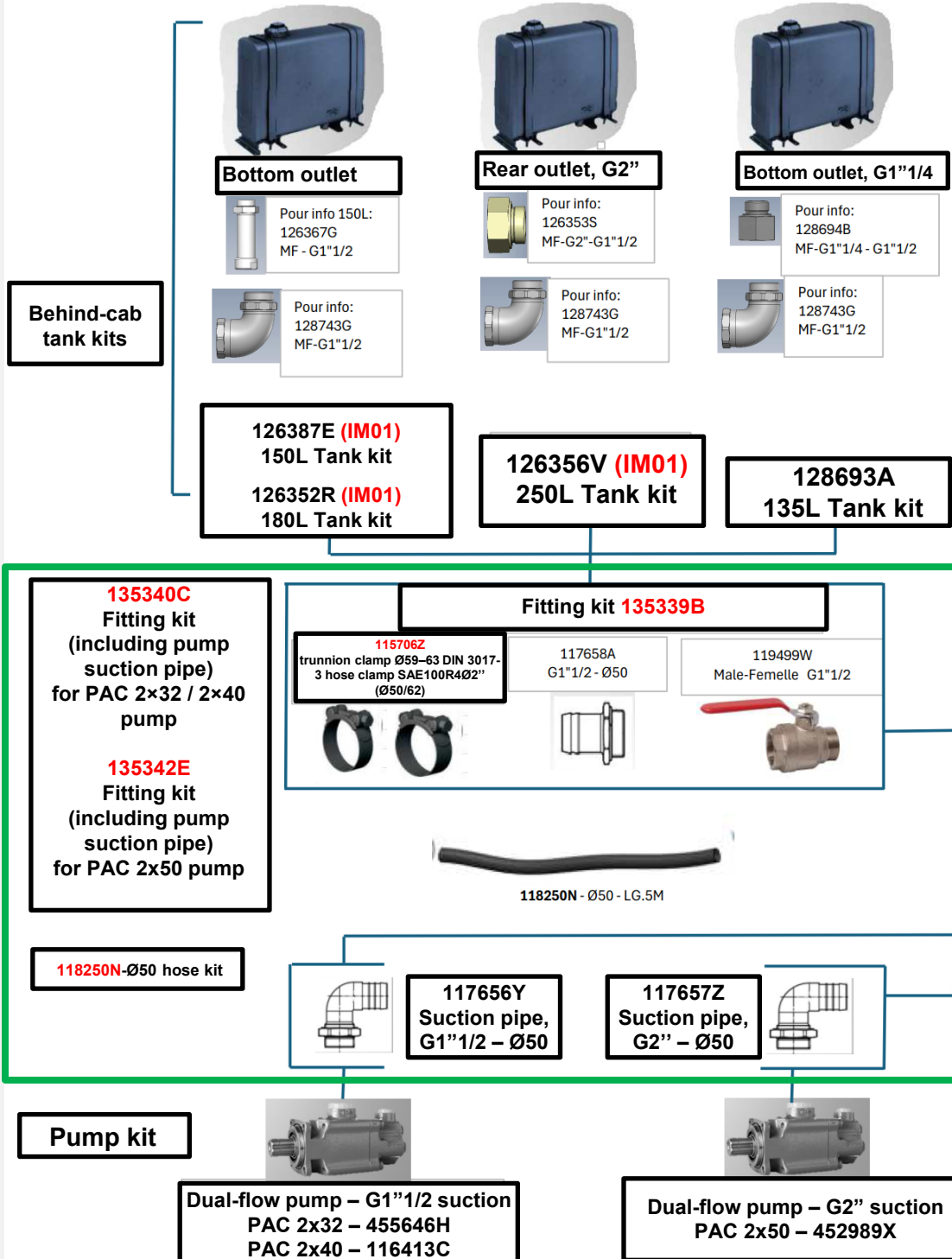


Applicable range

AMPLIROLL® HIGH

PUMP-TANK CONNECTION

Dual-flow pump 2x32 / 2x40 / 2x50 (without suction pipe)
 With 135L / 150L / 180L / 250L tank and 2" / Ø50 hose
 (tank outlet: bottom or rear, G1"1/2, with or without adapter)

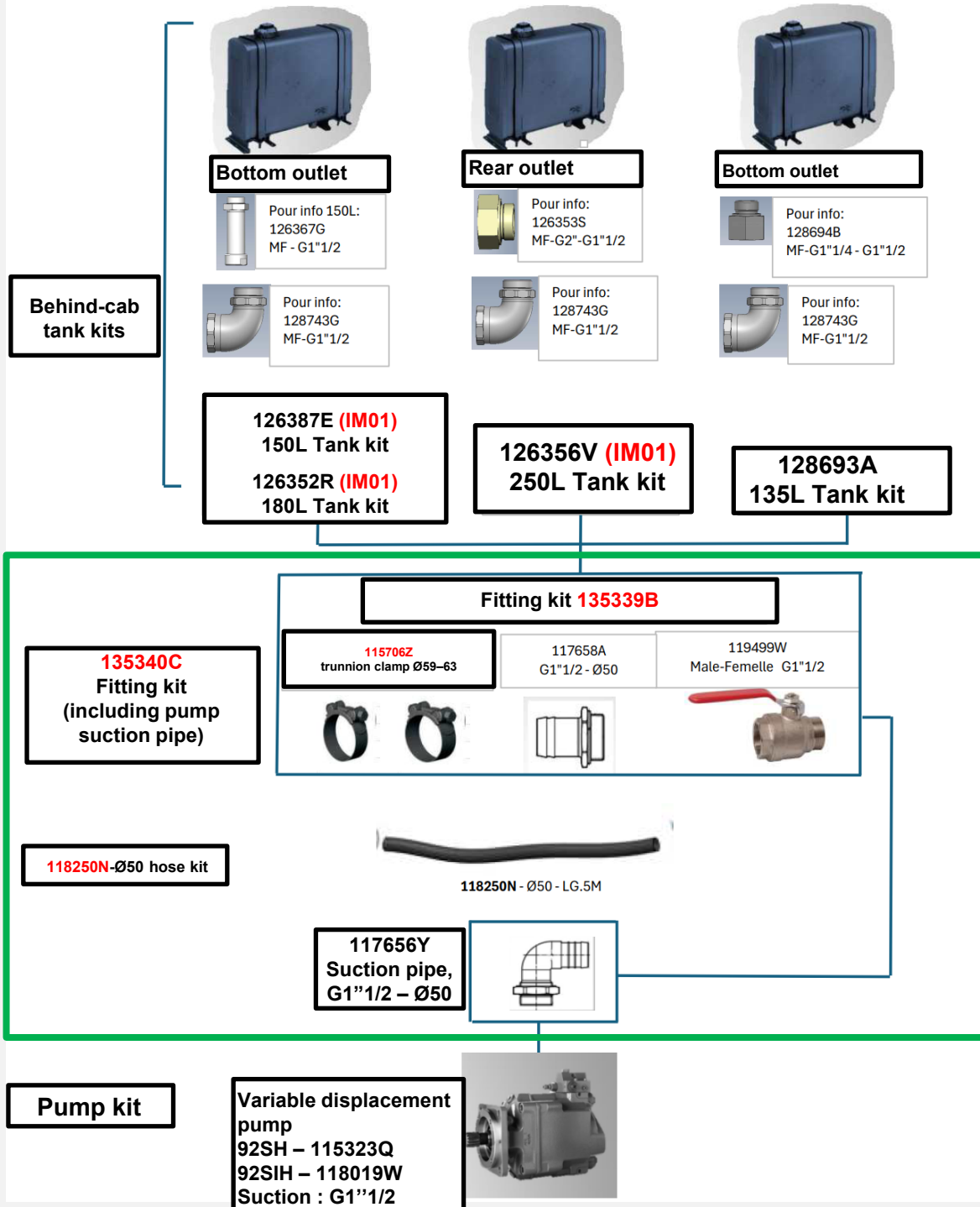


Applicable range

AMPLIROLL® HIGH

PUMP-TANK CONNECTION

Dual-flow pump 2×32 / 2×40 / 2×50 (without suction pipe)
 With 135L / 150L / 180L / 250L tank and 2" / Ø50 hose
 (tank outlet: bottom or rear, G1"1/2, with or without adapter)



Applicable range

MULTIBENNE®

PUMP-TANK CONNECTION

Fittings suitable for SKIPLOADER version
Tank outlet G1"1/2, with or without adapter / 2" (Ø50) hose

Tank outlet G1" 1/2



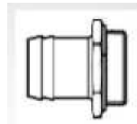
To pump



118250N-
Ø50 hose kit



115706Z
trunion clamp Ø59-63
DIN 3017-3 hose clamp
SAE100R4Ø2" (Ø50/62)



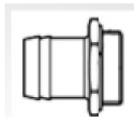
117658A
Straight suction pipe,
G1"1/2 - Ø50



102759R
Low-pressure shut-off
valve, female/female,
G1"1/2



126405A
Adjustable elbow fitting,
male/male, G1"1/2



117659B
Straight suction pipe,
G2"- Ø50

HYDRAULIC COMPONENTS

Reference	DESCRIPTION
805094L	Two-way valve with manual control
454344H	Three-way valve with manual lever
811009U	Three-way valve port G ½ with pneumatic controls
086697P	Three-way valve - 2 position + pressure relief pneumatic controls
090133R	Relief valve cartridge - Pressure (85-175 Bar)
090132Q	Relief valve cartridge - Pressure (180-250 Bar)
090134J	Relief valve cartridge - Pressure (255-350 Bar)

Applicable range

AMPLIROLL® URBAN
 AMPLIROLL® FLEX
 AMPLIROLL® HIGH

PRESSURE FILTER FOR DANFOSS POWER UNIT

Reference	DESCRIPTION
129531C	Pressure filter 10µ for : LP & PRO
130553Q	Cartridge for pressure filter 129531C



TABLE OF CONTENTS

AMPLIROLL® AL3PA FIXINGS

Page

1 - AL3PA mounting overview	28
2 - IVECO DAILY 35 chassis	29
3 - AL3PA A26 fixing for PIAGGIO chassis : Porter NP6 twin wheels (3250 mm wheelbase)	30
4 - fixings for RENAULT MASTER single wheel chassis - width 862 mm	31
5 - fixings for RENAULT MASTER chassis - twin wheel configuration	32
6 - fixings for ISUZU N35 and MITSUBISHI CANTER chassis - 750 mm chassis width	33
7 - fixings for ISUZU N35 and MITSUBISHI CANTER chassis - 700 mm chassis width	34
8 - fixings for MERCEDES SPRINTER chassis - single wheel configuration	35
9 - fixings for MERCEDES SPRINTER chassis - twin wheel configuration	36
10 - fixings for MAN TGE and VOLKSWAGEN CRAFTER chassis - single wheel configuration	37
11 - fixings for MAN TGE and VOLKSWAGEN CRAFTER chassis - twin wheel configuration	38
12 - Fasteners for mounting	39

Applicable range

AMPLIROLL® URBAN

Applicable equipment

AL3PA



Note : Our AL3PA mounting kits are to be bolted onto the chassis

Applicable range

AMPLIROLL® URBAN

Applicable equipment

AL3PA

1 – AL3PA mounting overview

Applicable equipment	Manufacturer's chassis width	Required Ampliroll® frame width	Installation kit
IVECO DAILY 35	Chassis 860 and 862	862	108337G
RENAULT MASTER	Single wheel configuration – 1023 mm	862	123784X
	Twin wheel configuration – 1023 and 863 mm	862	123783W
ISUZU N35	Chassis 750	752	123722B
	Chassis 700	752	123727G
MITSUBISHI CANTER	Chassis 750	752	123722B
	Chassis 700	752	123727G
MERCEDES SPRINTER	Single wheel configuration – 995 mm	862	123779S
	Twin wheel configuration – 995 and 773 mm	752	123778R
MAN TGE and WOLKSWAGEN CATER	Single wheel configuration – 1083 mm	862	123781U
	Twin wheel configuration – 1083 and 829 mm (Study for vehicle with 5-ton GVW)	862	123780T

Note : Our AL3PA mounting kits are to be bolted onto the chassis

4 - FIXINGS

MARREL

Applicable range

AMPLIROLL® URBAN

Applicable equipment

AL3PA

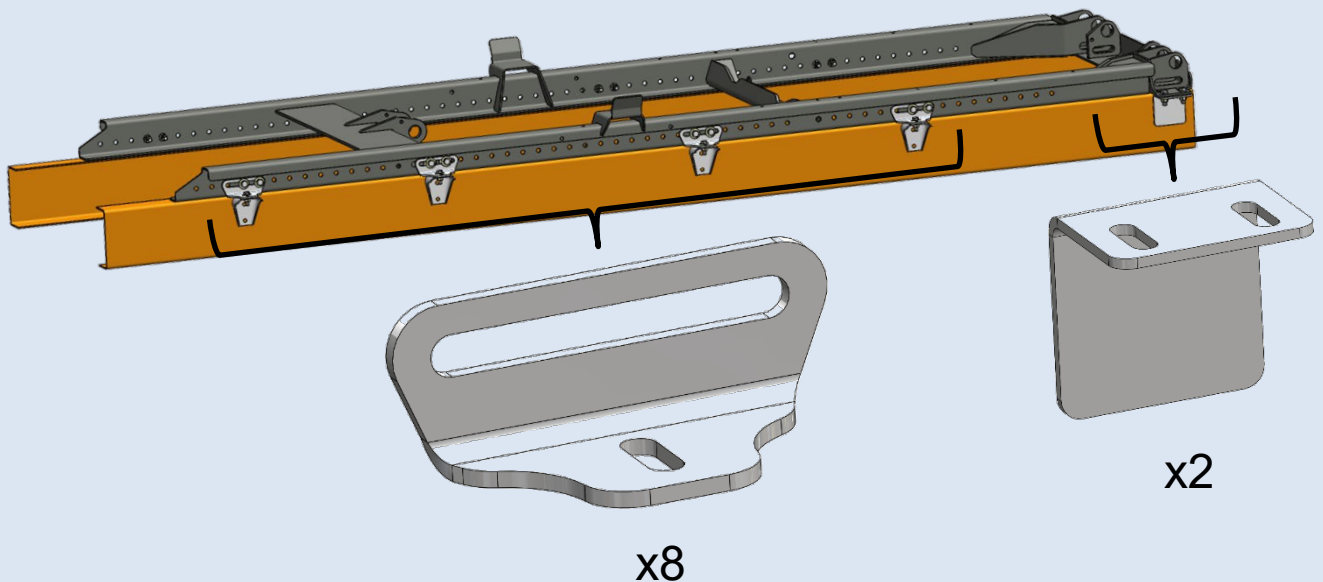
Applicable manufacturers

IVECO

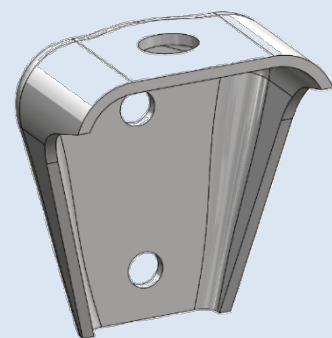
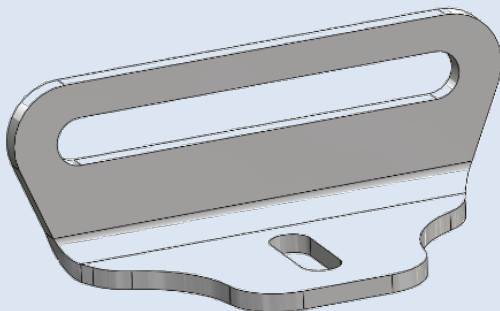
2 - IVECO DAILY 35 fixings

Reference	Description	Letter
108337G	Iveco daily 35 fixings	A
108338R	Additional intermediate mounting bracket	B

A



B



Manufacturer's lower mounting already installed on the vehicle

4 - FIXINGS

MARREL

Applicable range

AMPLIROLL® URBAN

Applicable equipment

AL3PA

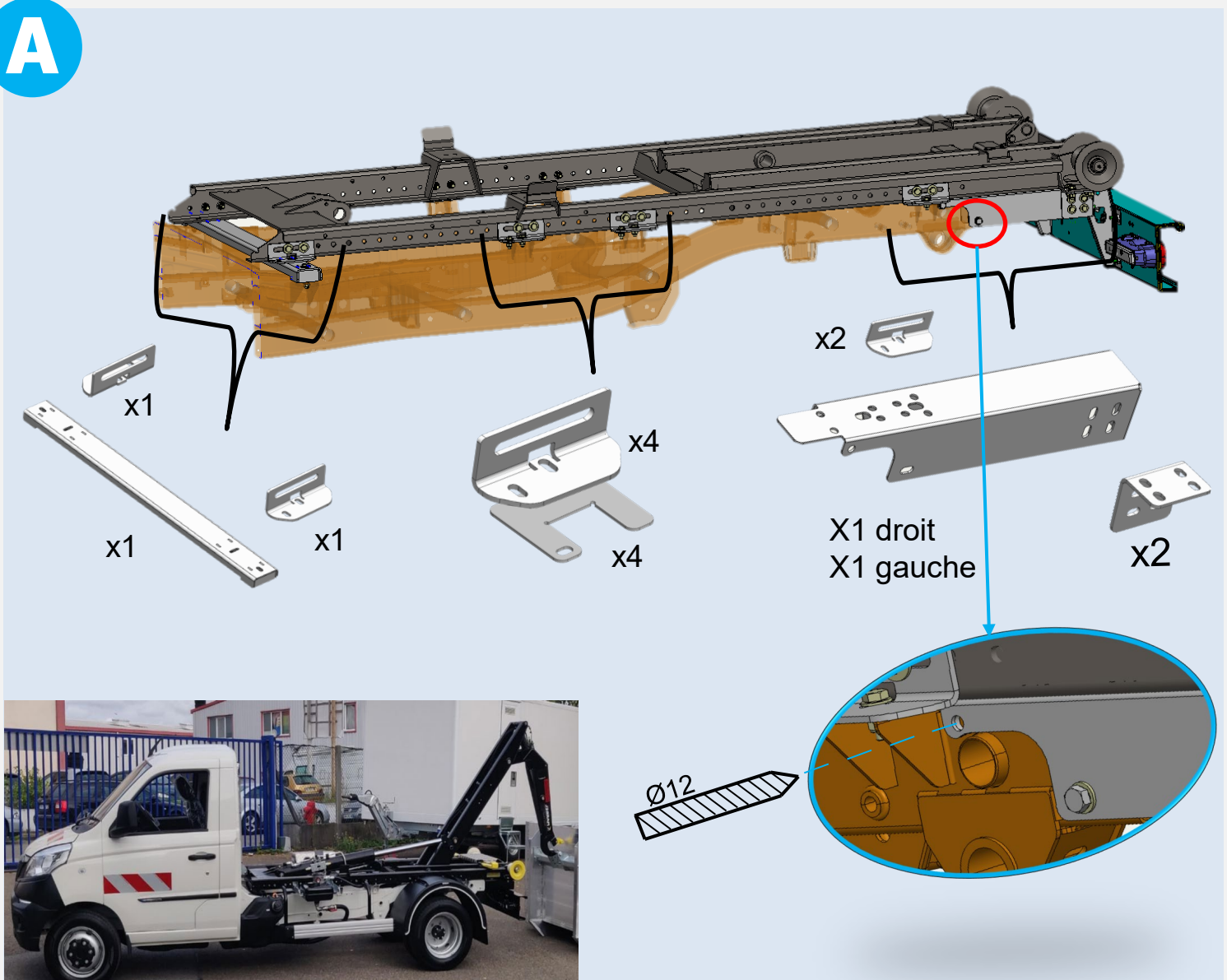
Applicable manufacturers



3 - AL3PA A26 fixings for **PIAGGIO** chassis :
Porter NP6 twin wheels (3250 mm wheelbase)

Reference	Description
133086T	Piaggio fixings

A



4 - FIXINGS

MARREL

Applicable range

AMPLIROLL® URBAN

Applicable equipment

AL3PA

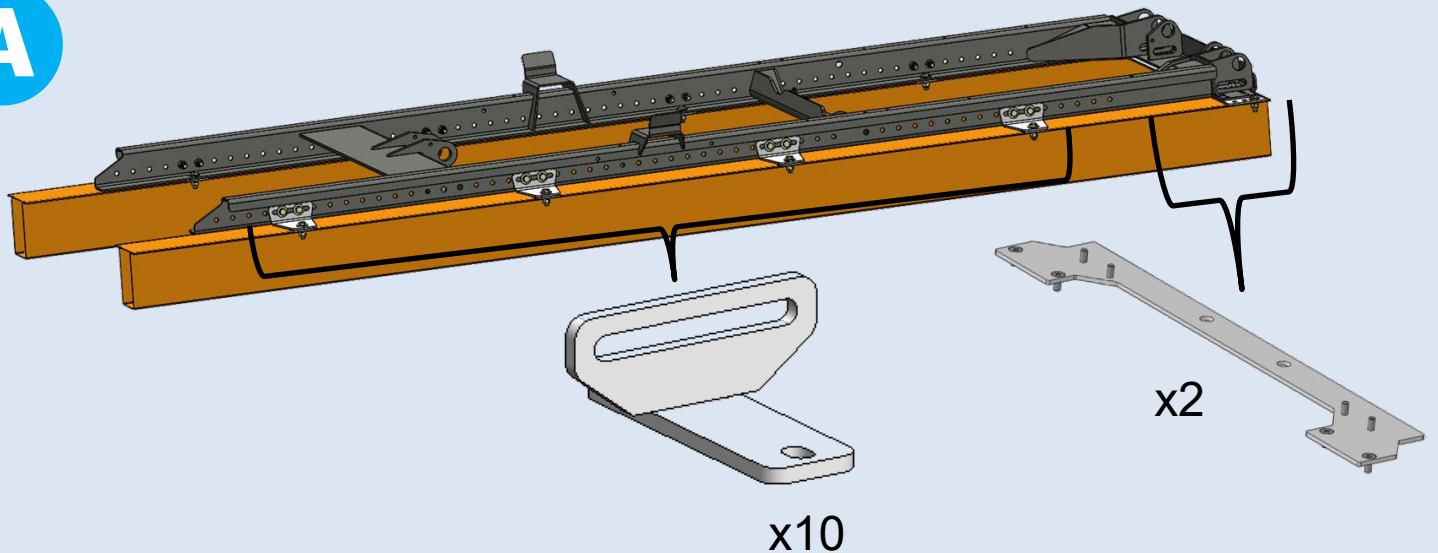
Applicable manufacturers



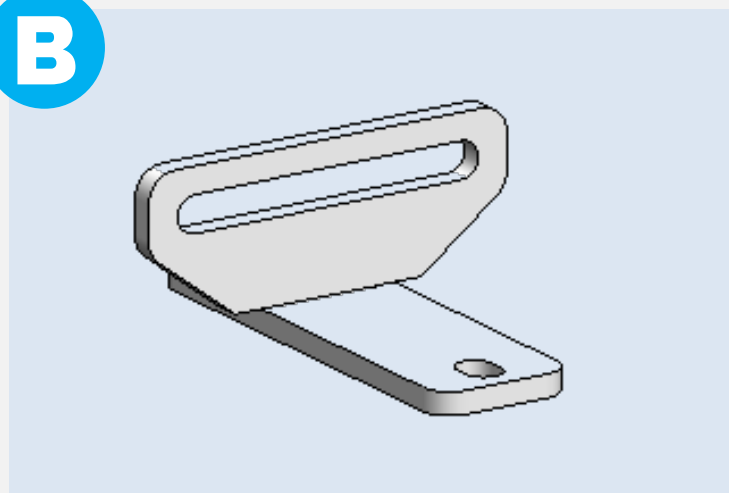
4 - fixings for RENAULT MASTER single wheel chassis - **width 862 mm**

Reference	Description	Letter
128994T	Renault master fixings - single wheel configuration	A
128479G	Additional intermediate mounting bracket	B

A



B



5 - fixings for RENAULT MASTER chassis – twin wheel configuration

Reference	Description	Letter
128482M	Renault master fixings – twin wheel configuration	A
128479G	Long support bracket – master	B
128478F	Short support bracket – master	C

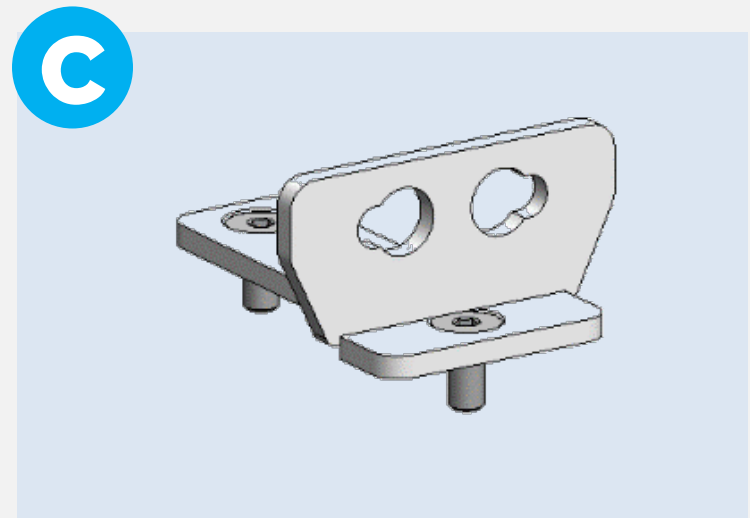
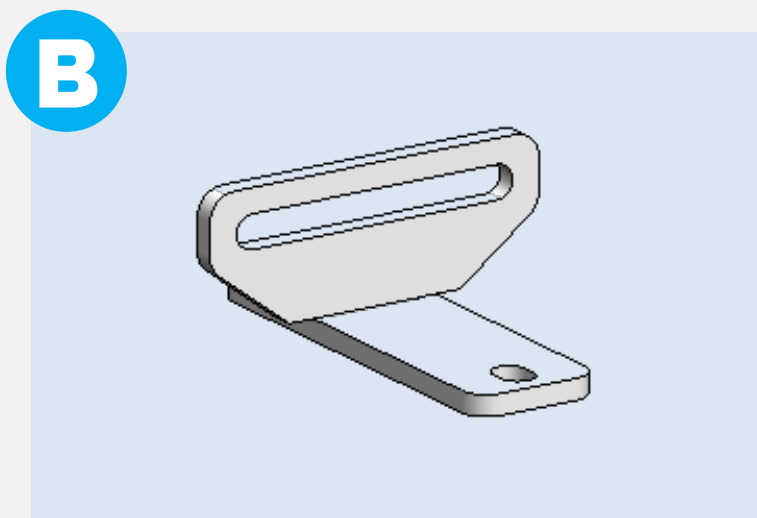
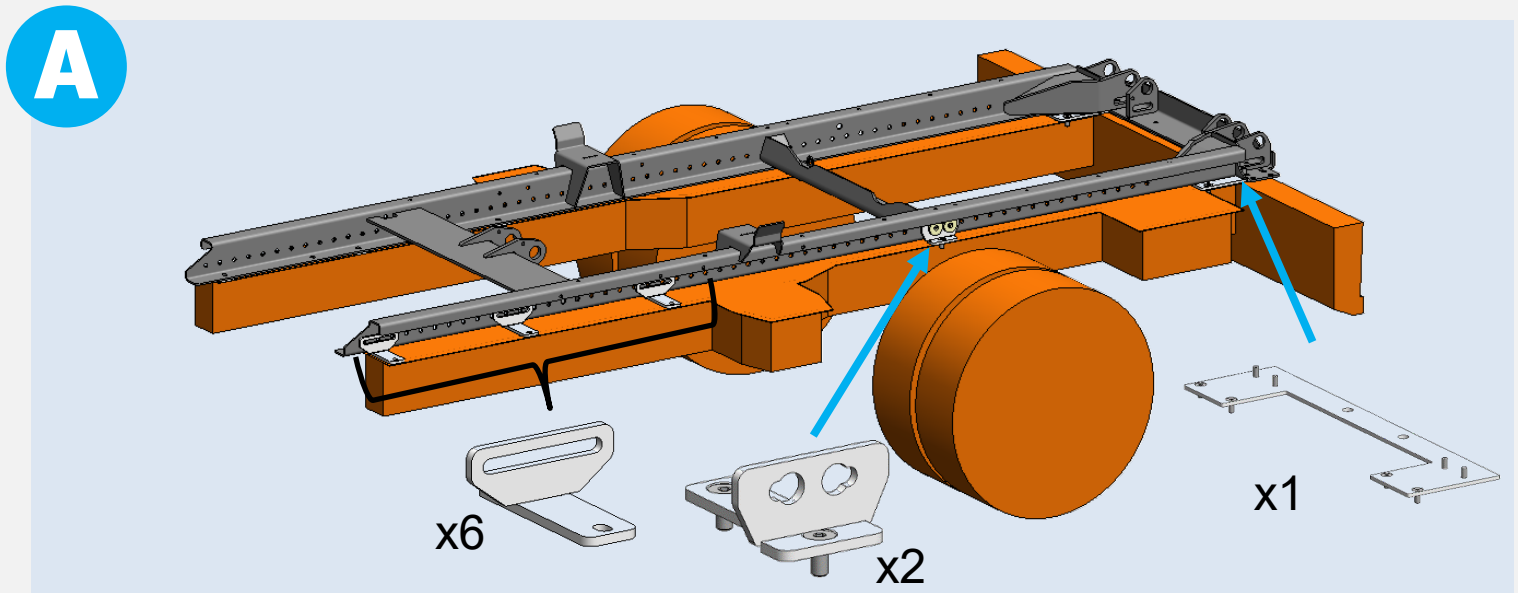
Applicable range

AMPLIROLL® URBAN

Applicable equipment

AL3PA

Applicable manufacturers



4 - FIXINGS

MARREL

6 - fixings for ISUZU N35 and MITSUBISHI CANTER chassis

750 mm chassis width

Applicable range

AMPLIROLL® URBAN

Applicable equipment

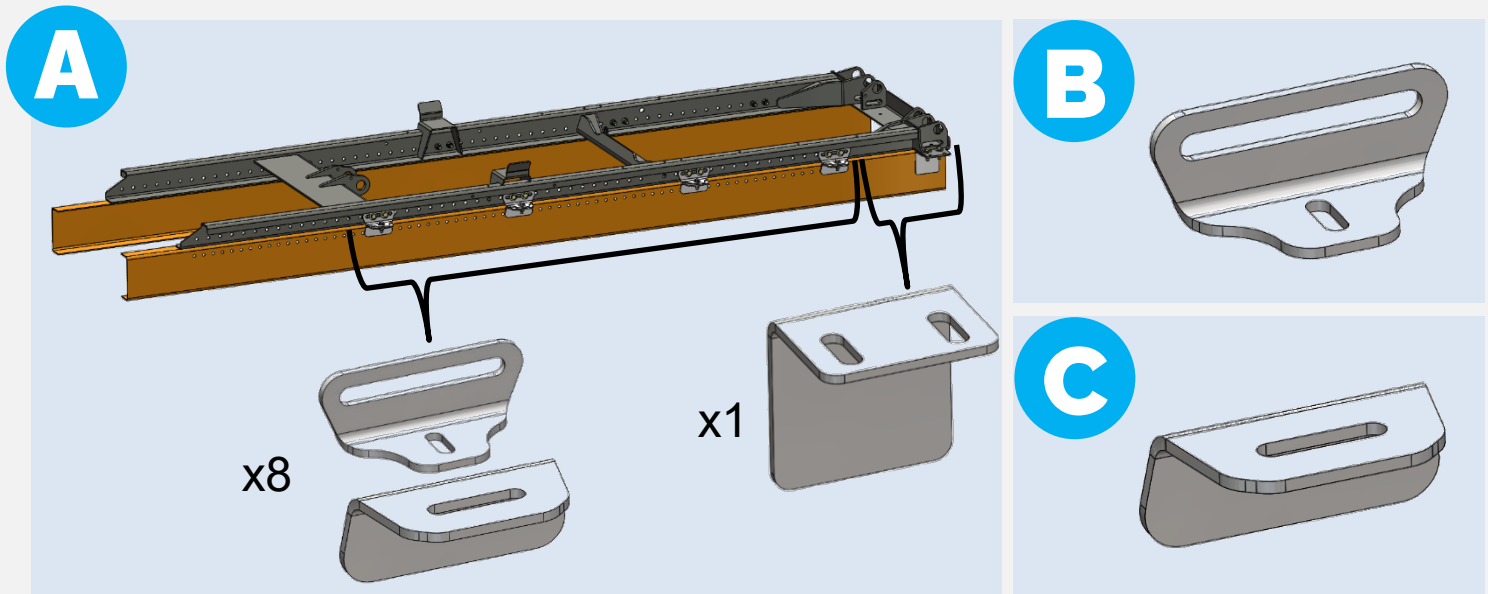
AL3PA

Applicable manufacturers

ISUZU

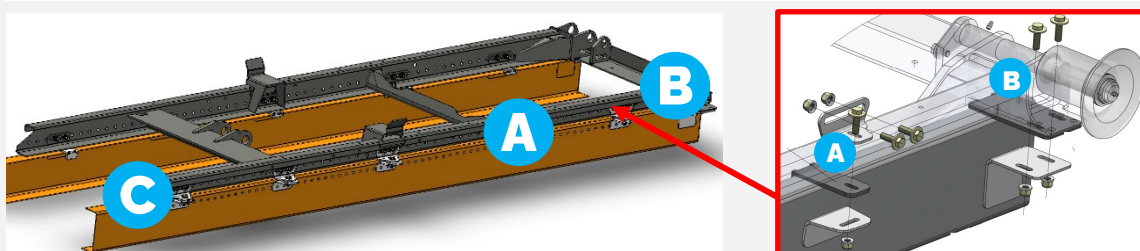


Reference	Description	Letter
123722B	Isuzu n35 & Mitsubishi canter fixings - 750 mm chassis width	A
108338R	Additional upper intermediate mounting bracket	B
123720Z	Additional lower intermediate mounting bracket	C



Technical note : Some chassis have rivets on the top face, requiring the addition of 8 mm EP spacers between the chassis and the AL3PA frame.

Reference	Description	Letter
131974D	Front mounting shim: m21 and m27 (qty 8)	A
131973C	Rear mounting shim: m21 and m27 (qty 2)	B
133870G	Cab rear mounting shim: m21 and m27 (qty 2)	C



4 - FIXINGS

MARREL

7 - fixings for ISUZU N35 and MITSUBISHI CANTER chassis

700 mm chassis width

Reference	Description	Letter
123727G	Isuzu n35 and Mitsubishi canter fastening kit - 700 mm chassis width	A
108338R	Additional upper intermediate fastener	B
123723C	Additional lower intermediate fastener	C

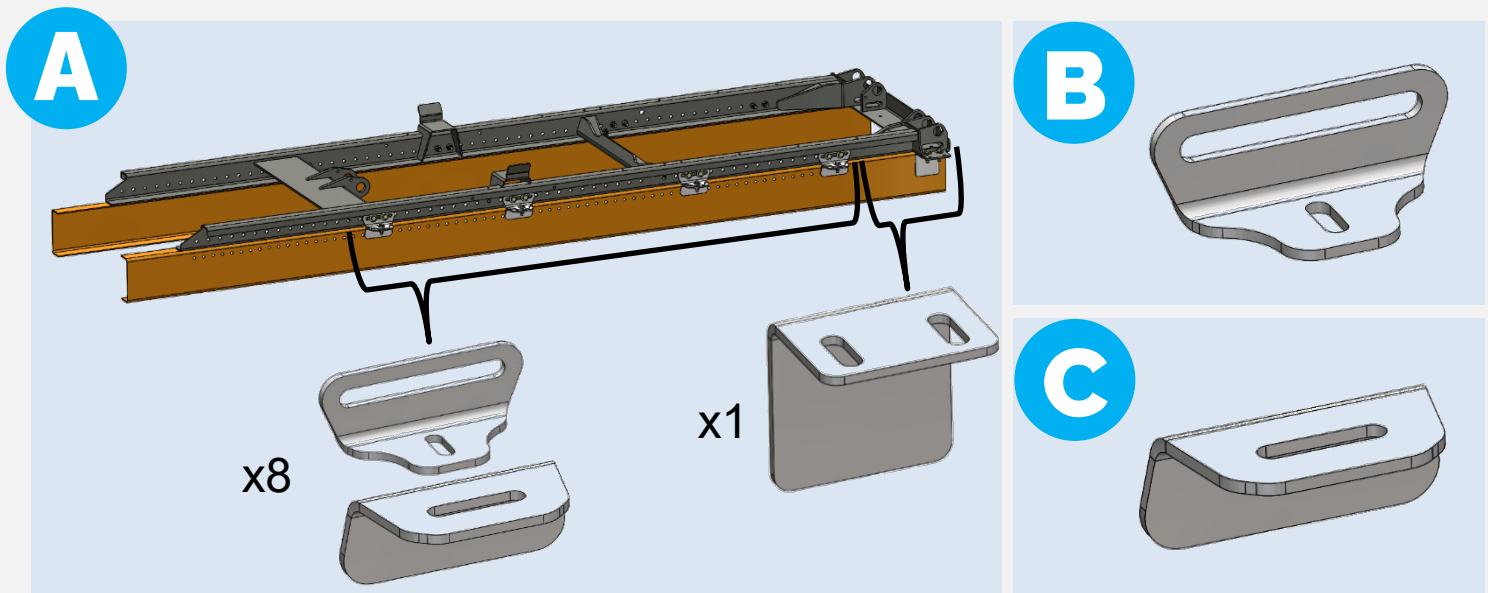
Applicable range

AMPLIROLL® URBAN

Applicable equipment

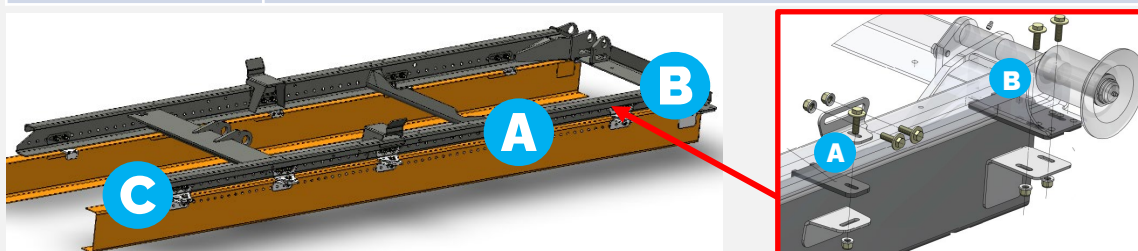
AL3PA

Applicable manufacturers



Technical note : Some chassis have rivets on the top face, requiring the addition of 8 mm EP spacers between the chassis and the AL3PA frame.

Reference	Description	Letter
131974D	Shim for front fastener: m21 and m27 (qty 8)	A
131973C	Shim for rear fastener: m21 and m27 (qty 2)	B
133870G	Shim for rear cab fastener: m21 and m27 (qty 2)	C



Applicable range

AMPLIROLL® URBAN

Applicable equipment

AL3PA

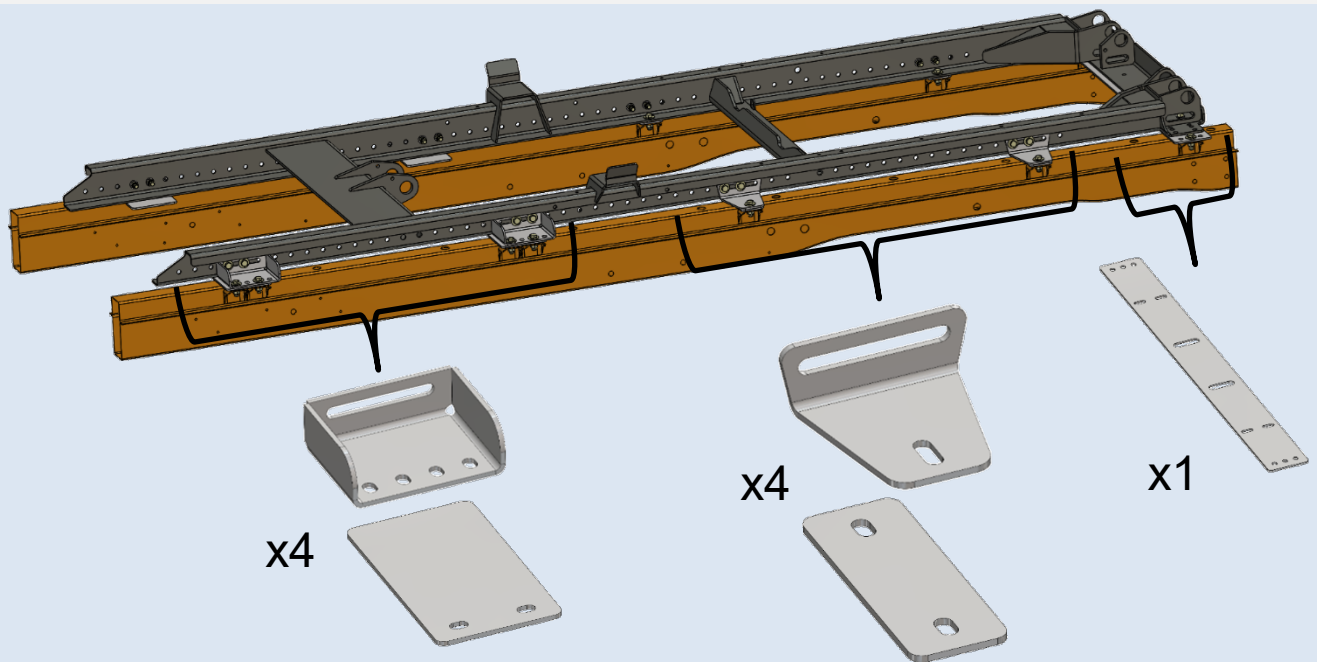
Applicable manufacturers



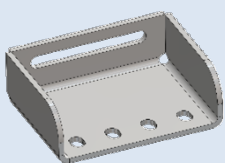
8 - fixings for MERCEDES SPRINTER chassis - single wheel configuration

Reference	Description	Letter
123779S	Mercedes sprinter single wheel fastening kit	A
123772K	Additional upper front fastener	B
123773L	Additional front underbody plate	C
123770F	Additional upper middle fastener	D
123767C	Additional middle underbody plate	E

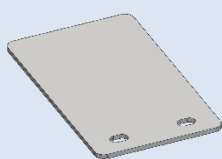
A



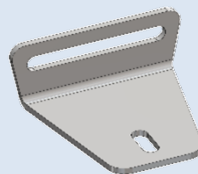
B



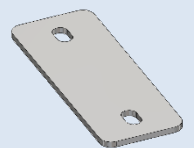
C



D



E



Applicable range

AMPLIROLL® URBAN

Applicable equipment

AL3PA

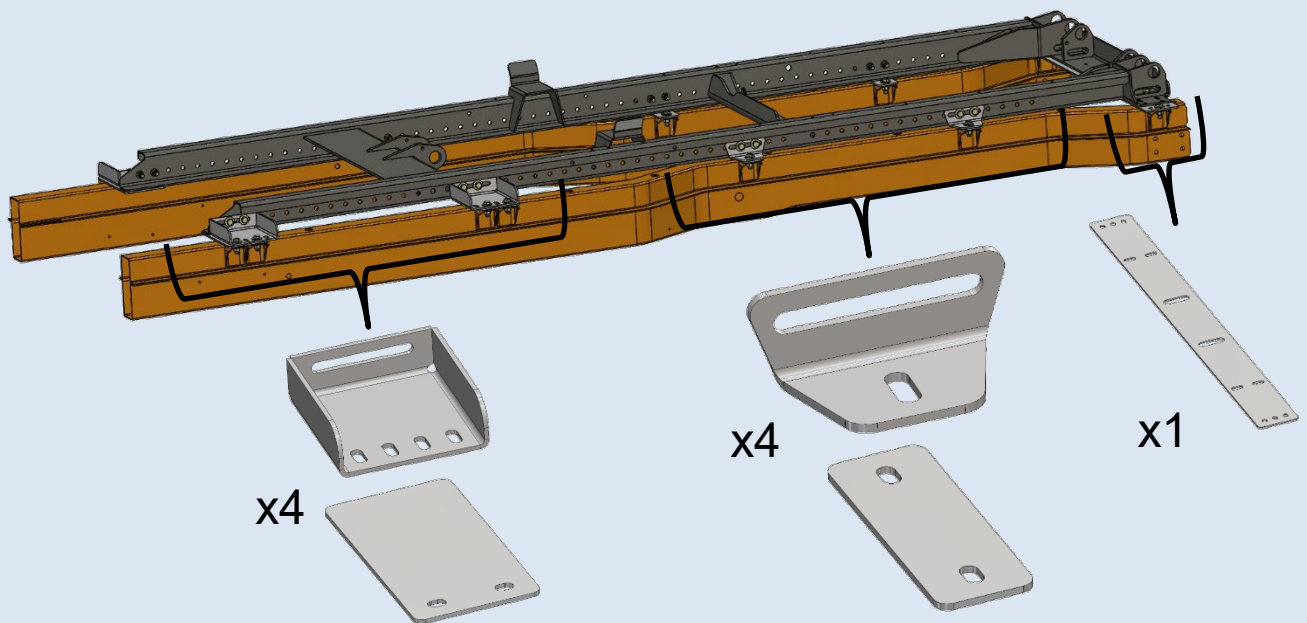
Applicable manufacturers



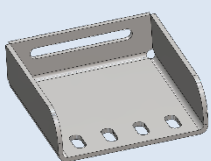
9 - fixings for MERCEDES SPRINTER chassis – twin wheel configuration

Reference	Description	Letter
123778R	Mercedes sprinter dual wheel fastening kit	A
123771G	Additional upper front fastener	B
123773L	Additional front underbody plate	C
123769E	Additional upper middle fastener	D
123767C	Additional middle underbody plate	E

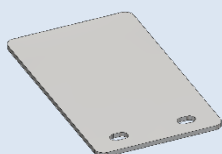
A



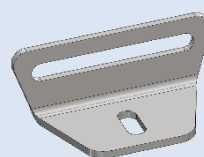
B



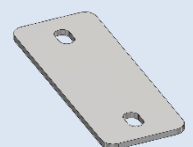
C



D



E



Applicable range

AMPLIROLL® URBAN

Applicable equipment

AL3PA

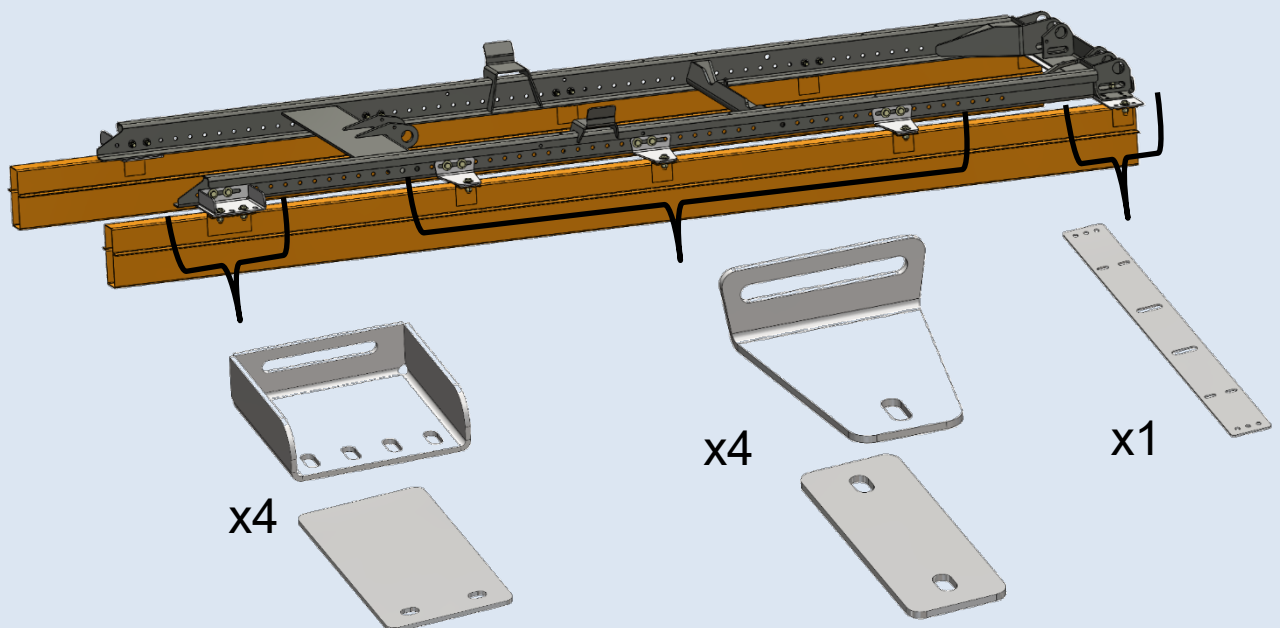
Applicable manufacturers



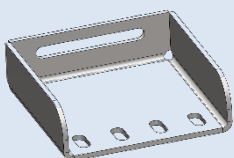
10 - fixings for MAN TGE and VOLKSWAGEN CRAFTER chassis – single wheel configuration

Reference	Description	Letter
123781U	MAN TGE and Volkswagen crafter single wheel fastening kit	A
123775N	Additional upper front fastener	B
123773L	Additional front underbody plate	C
123777Q	Additional upper middle fastener	D
123767C	Additional middle underbody plate	E

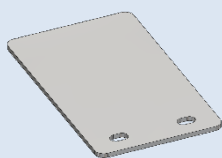
A



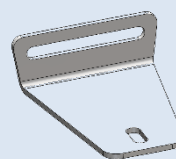
B



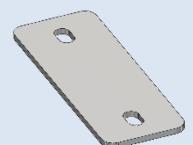
C



D



E



Applicable range

AMPLIROLL® URBAN

Applicable equipment

AL3PA

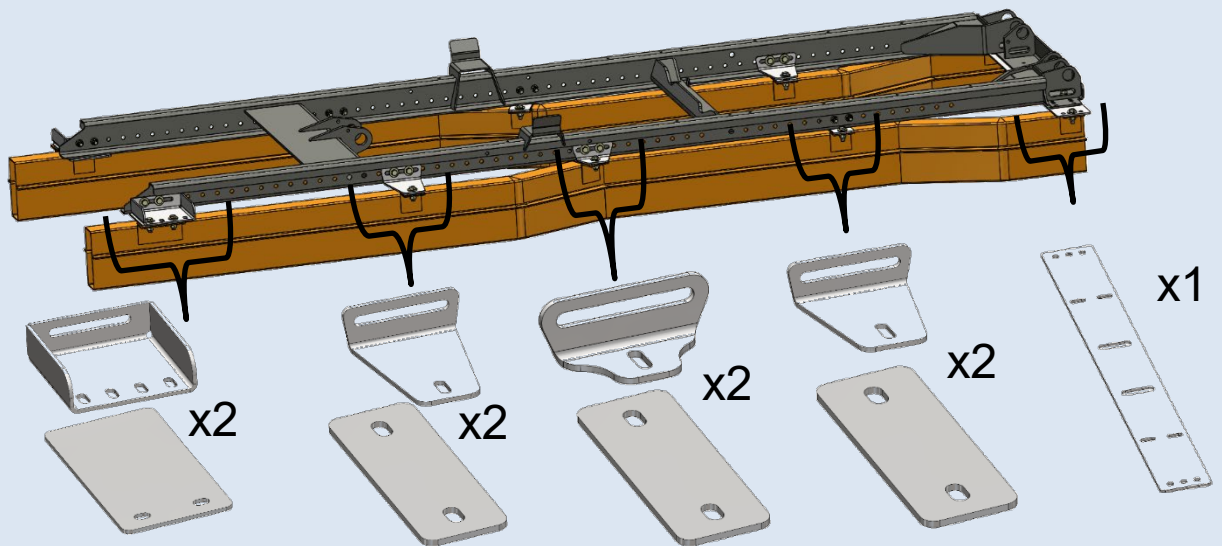
Applicable manufacturers



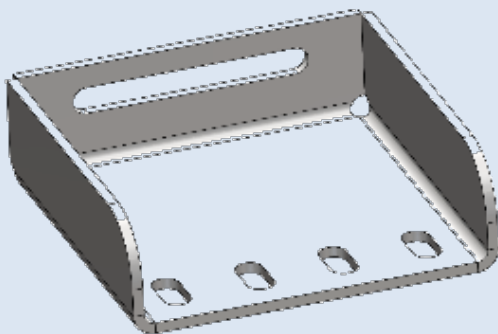
11 - fixings for MAN TGE and VOLKSWAGEN CRAFTER chassis – twin wheel configuration

Reference	Description	Letter
123780T	MAN TGE and Volkswagen crafter dual wheel fastening kit	A
123775N	Additional upper front fastener	B
123773L	Additional front underbody plate	C

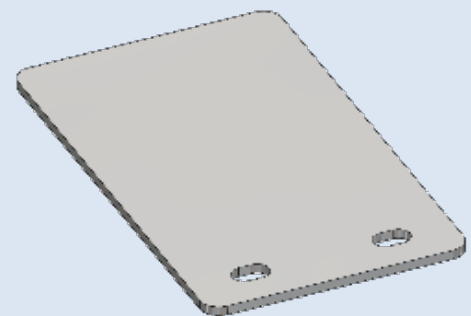
A



B



C



Applicable range

AMPLIROLL® URBAN

Applicable equipment

AL3PA

12 - Fasteners for mounting

To be defined according to vehicle and bodywork specifications

Ø10 fasteners :

Reference	Description
123740X	Box of 50 bolts m10x35-c8.8
123739W	Box of 50 flat washers 10
123738V	Box of 50 metal self-locking nuts m10-c8
123737U	Box of 50 conical washers 10

Ø12 fasteners :

Reference	Description
123830Z	Box of 50 bolts m12x50-c10.9
123714T	Box of 50 bolts m12x40-c10.9
123735S	Box of 50 flat washers 12
123736T	Box of 50 metal self-locking nuts m12-c10
123715U	Box of 50 conical washers 12

Applicable range

AMPLIROLL® **URBAN**
 AMPLIROLL® **FLEX**

AMPLIROLL® AL4 to AL12 fixings

Reference	Applicable equipment	Use
116228S	AL4 / 5	RENAULT Type D MAN TGL7.18 PTC7,5T
116230Y	AL4 / 5	IVECO DAILY
116232N	AL4 / 5	IVECO EUROCARGO
116249F	AL4 / 5	HINO 300 ISUZU PTC 5 et 6T MITSUBISHI CANTER Or chassis with 750 mm and 753 mm width
116250C	AL4 / 5	NISSAN NT500 ISUZU PTC 7,5T Or chassis width > 849mm
116263V	AL4 / 5	MERCEDES VARIO
116264W	AL4 / 5	MERCEDES SPRINTER
116183E	AL6	Chassis width \geq 850mm
116184F	AL6	Chassis with 750 mm and 753 mm width
120505W	AL8 / AL10	
099300J	AL12	

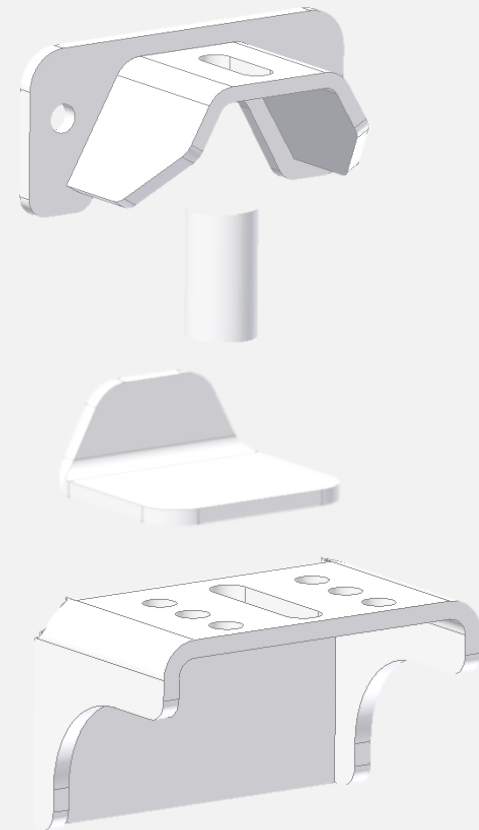
Note : Our AL4 to AL12 mounting kits are to be bolted onto the chassis

TABLE OF CONTENTS

Applicable range

AMPLIROLL® HIGH

AMPLIROLL® HIGH FIXINGS	Page
1 - Chassis fixings - RENAULT K, C, D Wide range - VOLVO FM and FH version4 framehigh/frame300	42
Components compatible with manufacturer's fastening elements : - RENAULT (gamme K, C, D Wide) - VOLVO FM et FH Version4 Framehigh/frame300	43
2 - Chassis fixings for MERCEDES mechanical suspension (Actros, Antos, Arocs)	44
3 - Chassis fixings for MERCEDES pneumatic suspension (Actros, Antos, Arocs)	45
Components compatible with Mercedes fastening elements :	46
4 - Chassis fixings for IVECO X-WAY & S-WAY	47
5 - Chassis fixings for IVECO Eurocargo	48
6 - Chassis fixings for SCANIA Euro6	49
7 - Chassis fixings for pre-Euro6 SCANIA	50
8 - Chassis fixings for MAN TGS/TGX	51
9 - Chassis fixings for DAF	52
10 - Generic fixings for chassis width = 850mm	53
11 - Generic fixings for other chassis widths	54
12 - Generic fixings for other chassis widths - WELDED	55
13 - Fasteners for fixings	56
14 - Accessories	57



Note : Our mounting kits for the HIGH range are to be bolted onto the chassis, except for No. 12, "Generic mounting kit for other chassis widths," which is to be welded

4 - FIXINGS

MARREL

1 - Chassis fixings

- RENAULT K, C, D Wide range
- VOLVO FM and FH version4 framehigh/frame300 for chassis width = 850mm

Applicable range

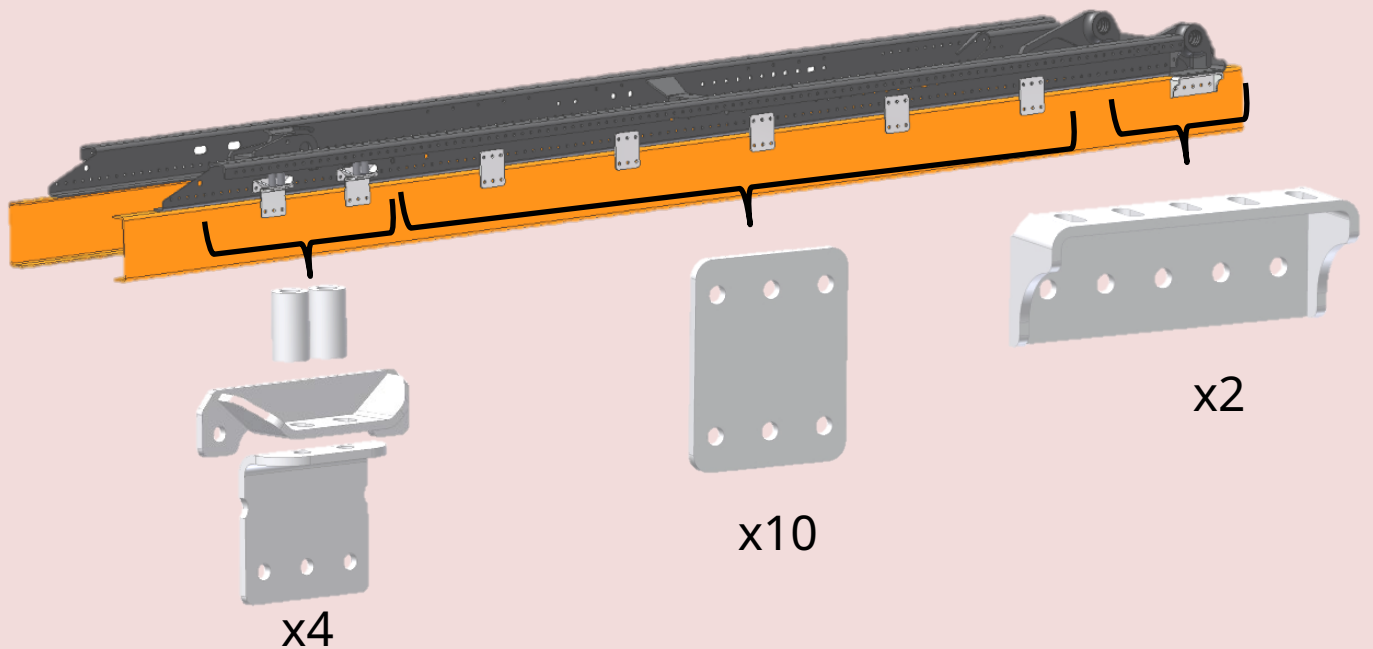
AMPLIROLL® HIGH

Applicable manufacturers

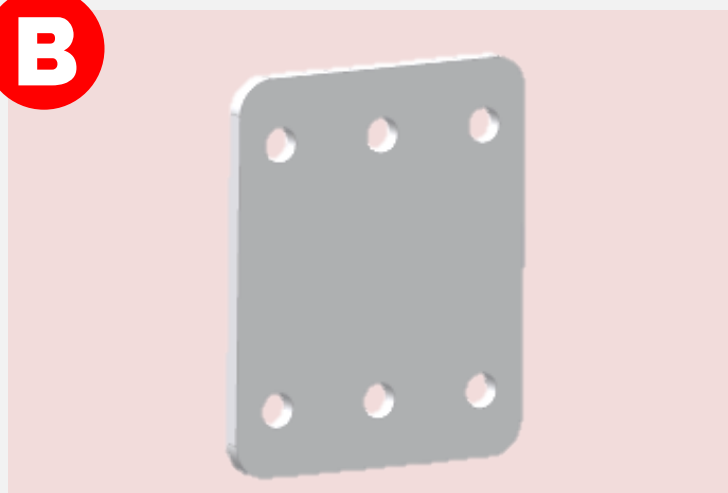


Reference	Description	Letter
117810P	Renault fixings	A
117500Z	Additional intermediate plate	B

A



B



Components compatible with manufacturer's fixing elements

Applicable range

AMPLIROLL® HIGH

Applicable manufacturers



- RENAULT (K, C, D Wide range)
- VOLVO FM and FH Version4 Framehigh/frame300

Reference	Description	Illustration
117493E	Upper bracket to 1 hole	
117494F	Upper bracket to 2 holes	
117495G	Upper bracket to 3 holes	
117496H	Upper bracket Type B	
117508V	Lower bracket for rear mounting	

4 - FIXINGS

MARREL

2 - Chassis fixings for MERCEDES mechanical suspension (Actros, Antos, Arocs)
for chassis width = 760 mm

Applicable range

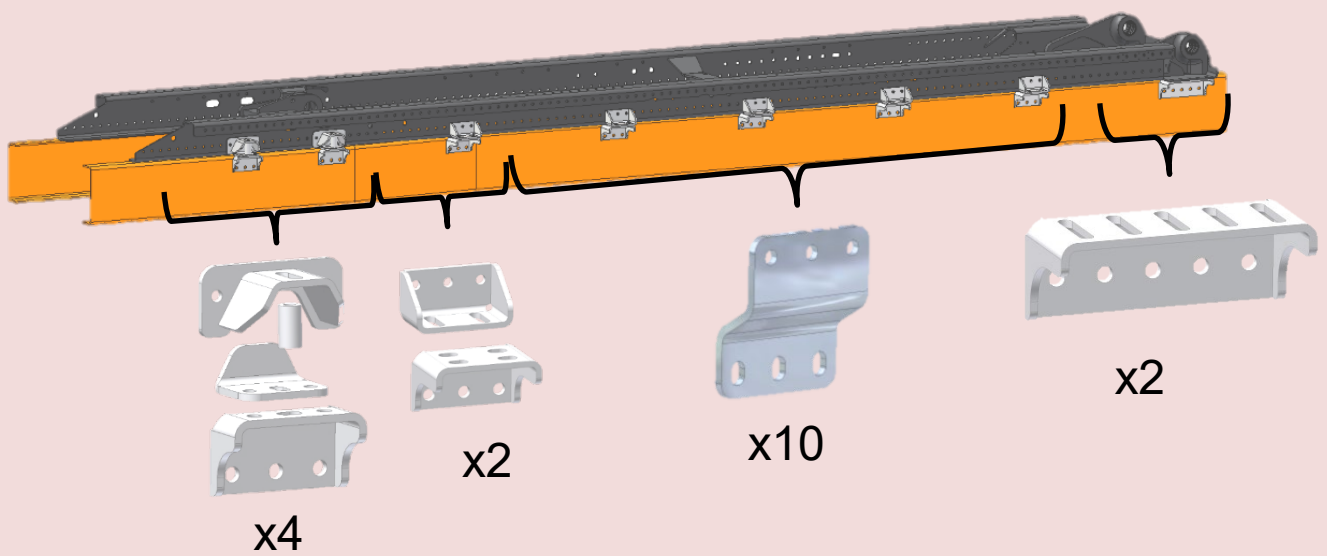
AMPLIROLL® HIGH

Applicable manufacturers



Reference	Description	Letter
117807R	Mercedes AROCS fixings	A
118777A	Additional intermediate mount	B
118771C	Shims 1 hole	C
117574N	Shims 2 holes	D
117573M	Shims 5 holes	E

A



B



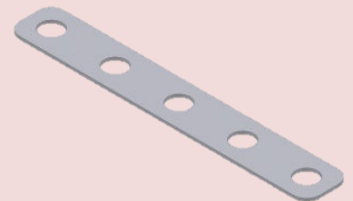
C



D



E



4 - FIXINGS

MARREL

3 - Chassis fixings for MERCEDES pneumatic suspension (Actros, Antos, Arocs)
for chassis width = 850mm

Applicable range

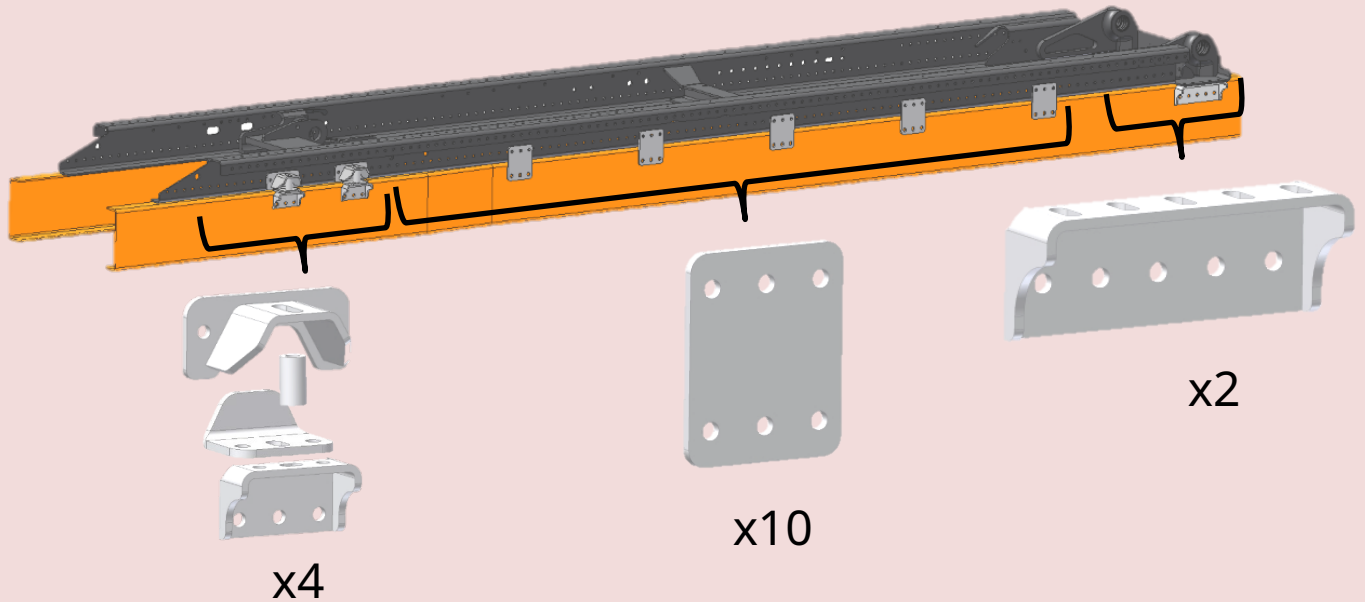
AMPLIROLL® HIGH

Applicable manufacturers

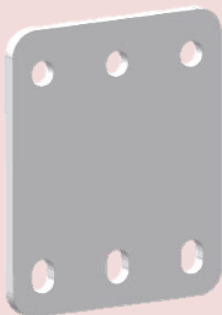


Reference	Description	Letter
117808S	Mercedes ACTROS / ANTOS fixings	A
117524C	Additional intermediate mount	B
118771C	Shims 1 hole	C
117573M	Shims 5 holes	D

A



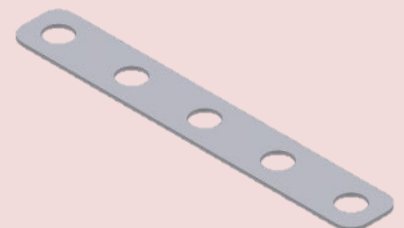
B



C



D



Components compatible with manufacturer's fixings elements

Applicable range

AMPLIROLL® HIGH

Applicable manufacturers



MERCEDES pneumatic suspension (ACTROS and ANTOS)

Reference	Description	Illustration
117510J	Upper 3-hole bracket compatible with MERCEDES S22 support	
117513H	Upper 2-hole bracket compatible with MERCEDES S8 support	
117516C	Upper 2-hole bracket compatible with MERCEDES S6 and S3 supports	
117525D	Lower bracket for rear mounting	

MERCEDES mechanical suspension (AROCS)

Reference	Description	Illustration
117510J	Upper 3-hole bracket compatible with MERCEDES S22 support	
117513H	Upper 2-hole bracket compatible with MERCEDES S8 support	
117525D	Lower bracket for rear mounting	

4 - FIXINGS

MARREL

4 - Chassis fixings for IVECO X-WAY & S-WAY

Applicable range

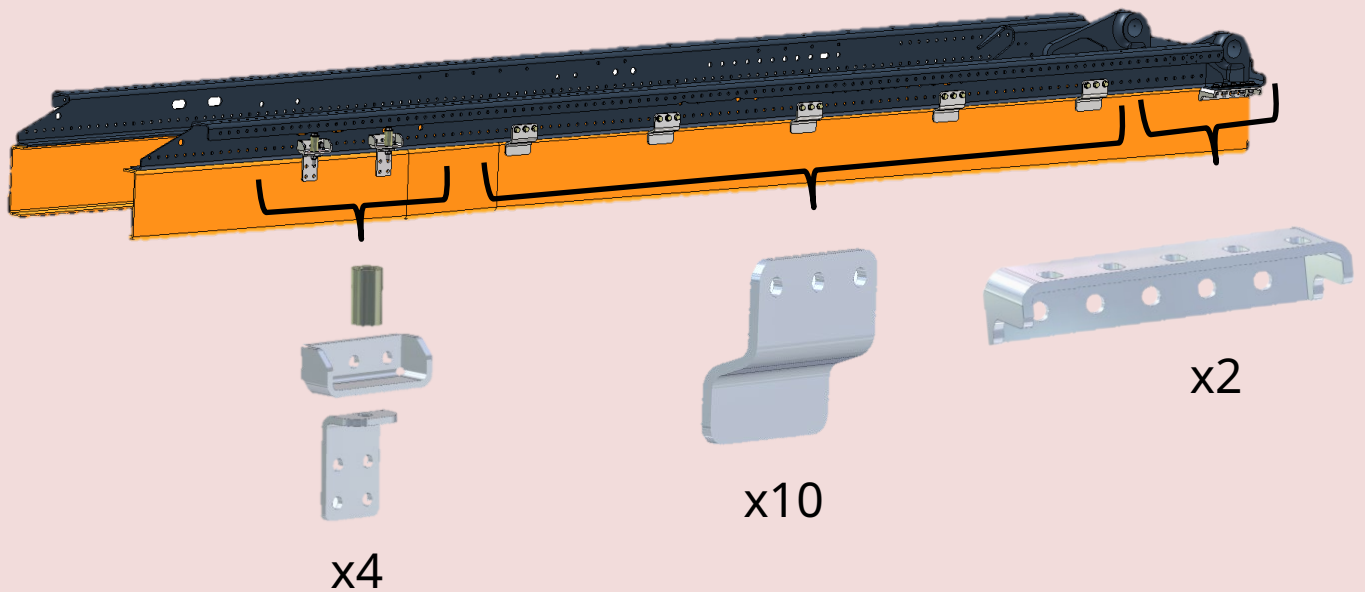
AMPLIROLL® HIGH

Applicable manufacturers

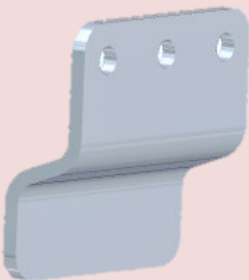
IVECO

Reference	Description	Letter
119029Z	IVECO X-WAY & S-WAY fixings	A
119028Y	Additional intermediate mount	B
118771C	Shims 1 hole	C
117573M	Shims 5 holes	D

A



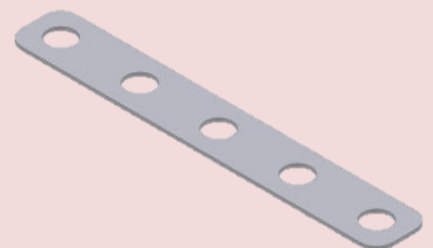
B



C



D



5 - Chassis fixings for IVECO Eurocargo

Applicable range

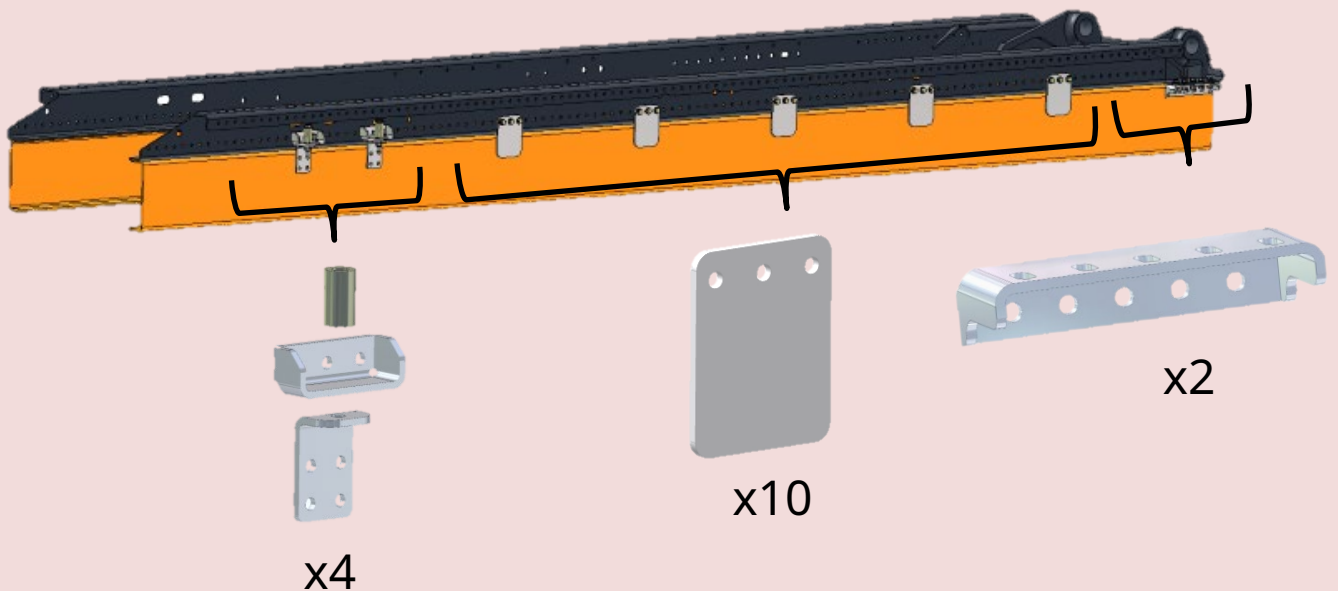
AMPLIROLL® HIGH

Applicable manufacturers

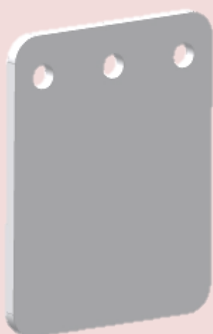
IVECO

Reference	Description	Letter
119164V	IVECO EUROCARGO fixings	A
117084F	Additional intermediate mount	B
118771C	Shims 1 hole	C
117573M	Shims 5 holes	D

A



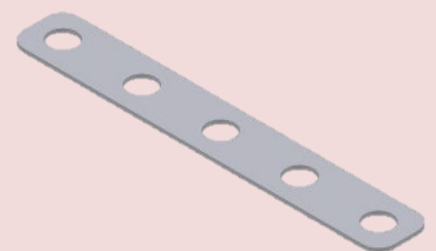
B



C



D



6 - Chassis fixings for SCANIA Euro6

Applicable range

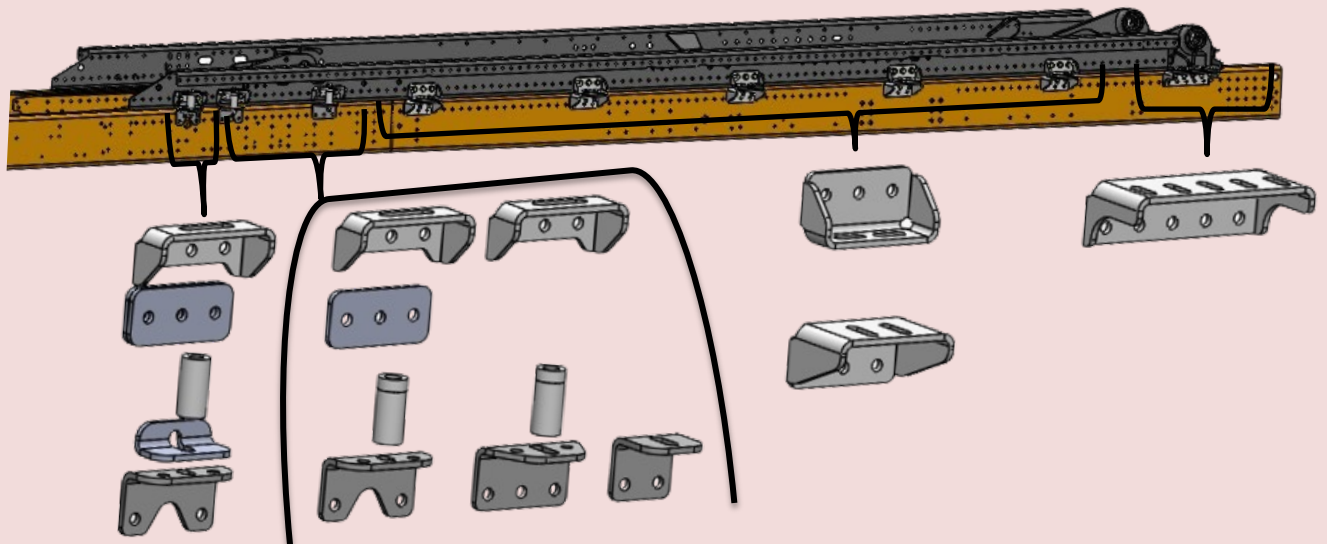
AMPLIROLL® HIGH

Applicable manufacturers

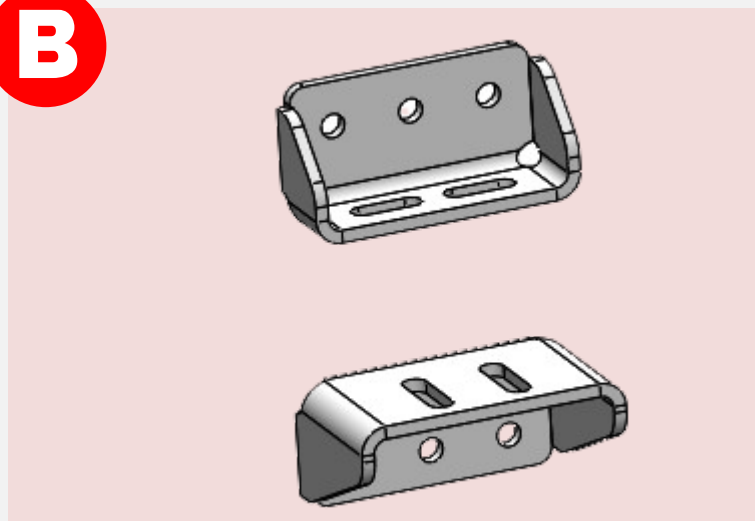


Reference	Description	Letter
122392R	Scania fixings	A
122373U 122374V	Additional intermediate mounts	B

A



B



Applicable range

AMPLIROLL® HIGH

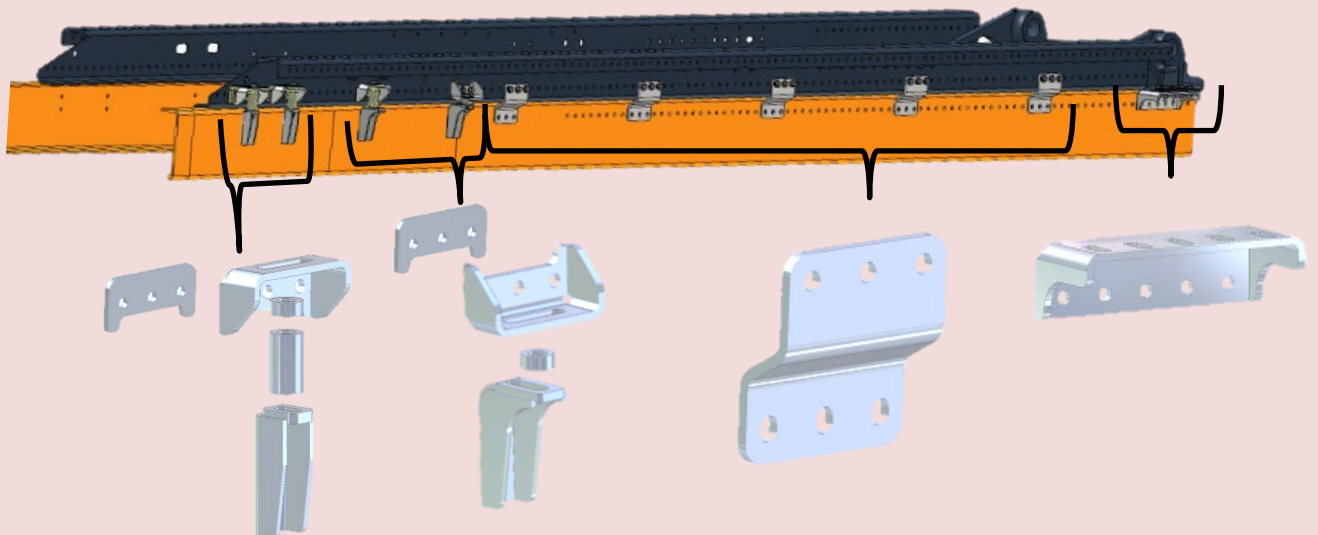
Applicable manufacturers



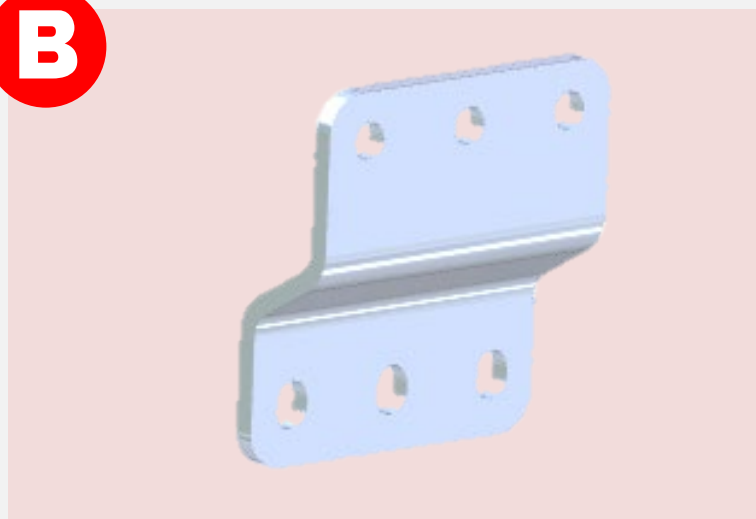
7 - Chassis fixings for pre-Euro6 SCANIA

Reference	Description	Letter
119088V	Scania fixings	A
118628D	Additional intermediate mounts	B

A



B



4 - FIXINGS

MARREL

8 - Chassis fixings for MAN TGS/TGX chassis

Applicable range

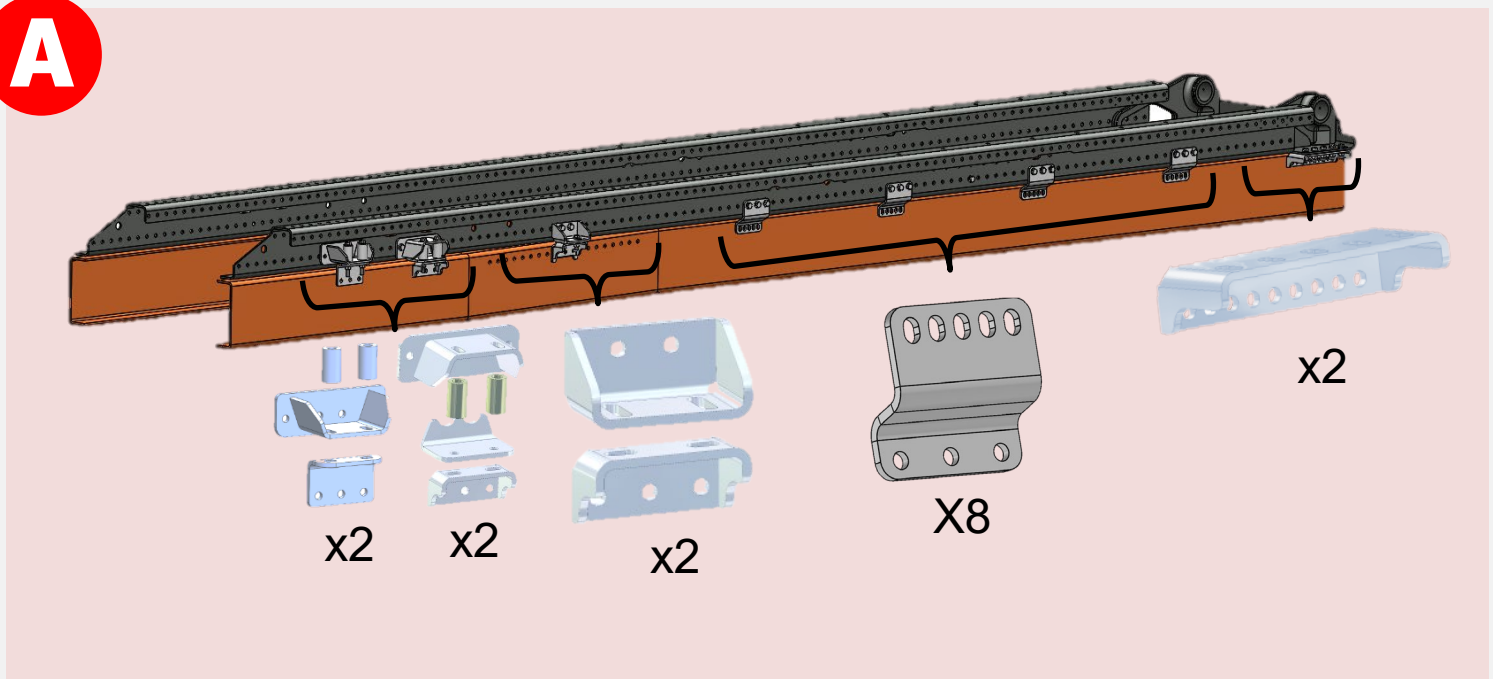
AMPLIROLL® HIGH

Applicable manufacturers



Reference	Description	Letter
119258K	MAN fixings	A
119244D	Additional intermediate mounting bracket	B

A



B



Applicable range

AMPLIROLL® HIGH

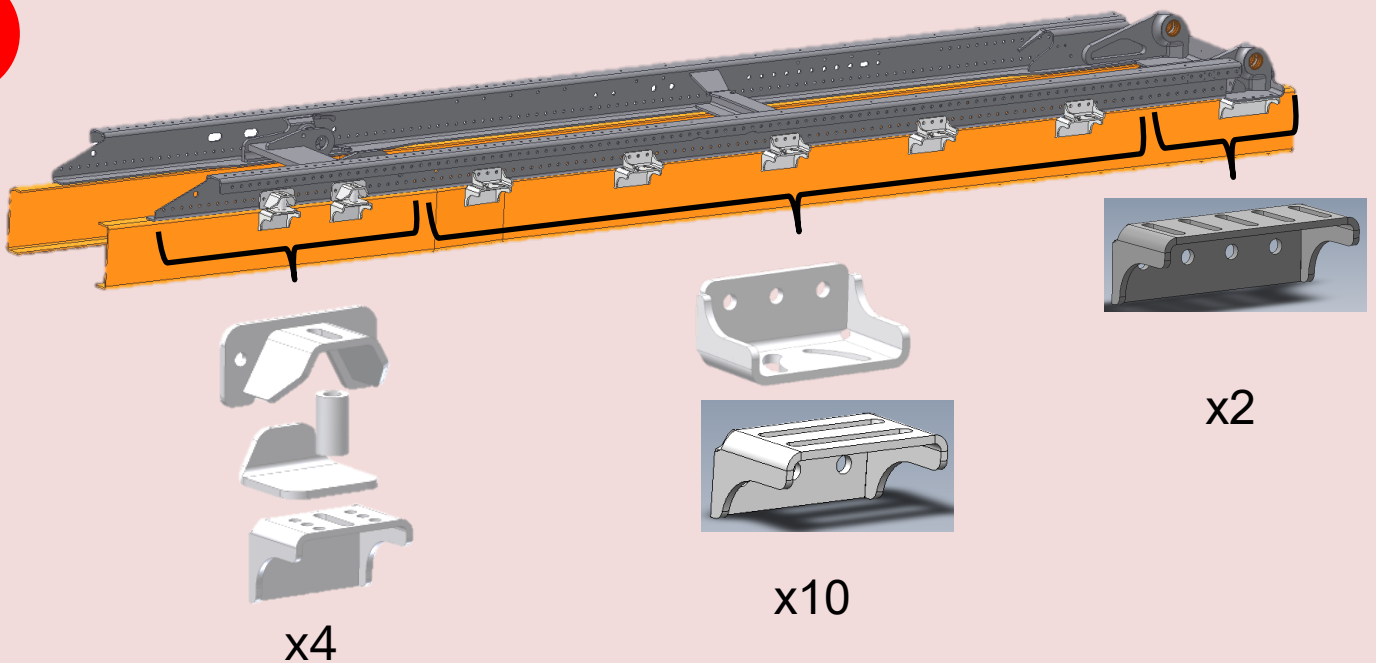
Applicable manufacturers



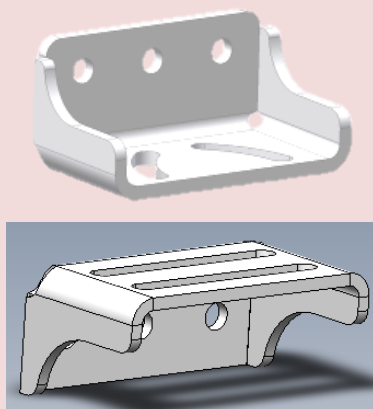
9 - Chassis fixings for DAF chassis

Reference	Description	Letter
117805P	DAF chassis fixings	A
117854P	Additional intermediate mounting bracket	B
117083E	Shim for front mounting	C

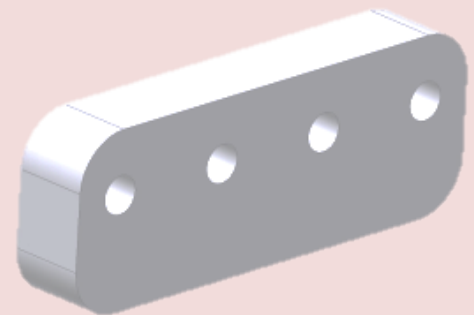
A



B



C



4 - FIXINGS

MARREL

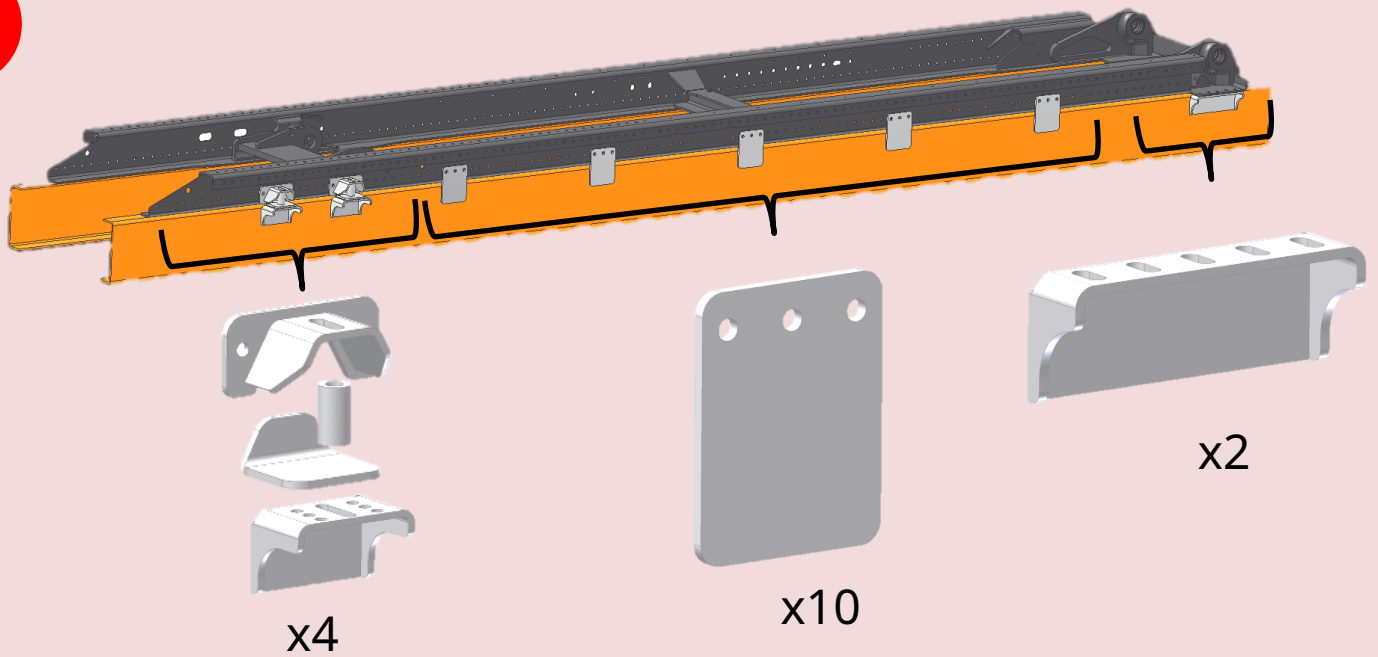
10 - Generic fixings
for chassis width = 850mm

Applicable range

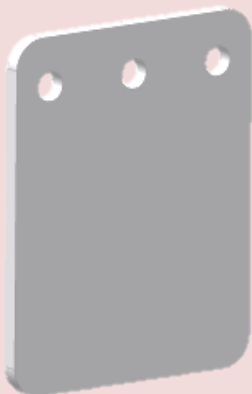
AMPLIROLL® HIGH

Reference	Description	Letter
117804N	Chassis fixings 850	A
117084F	Additional intermediate plate	B
117083E	Shim for front mounting	C

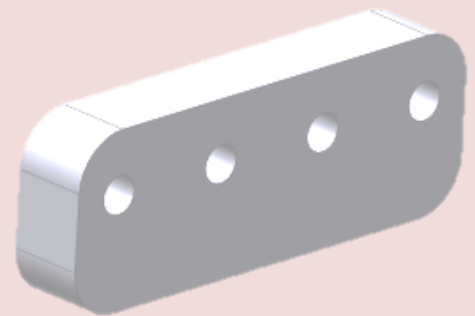
A



B



C

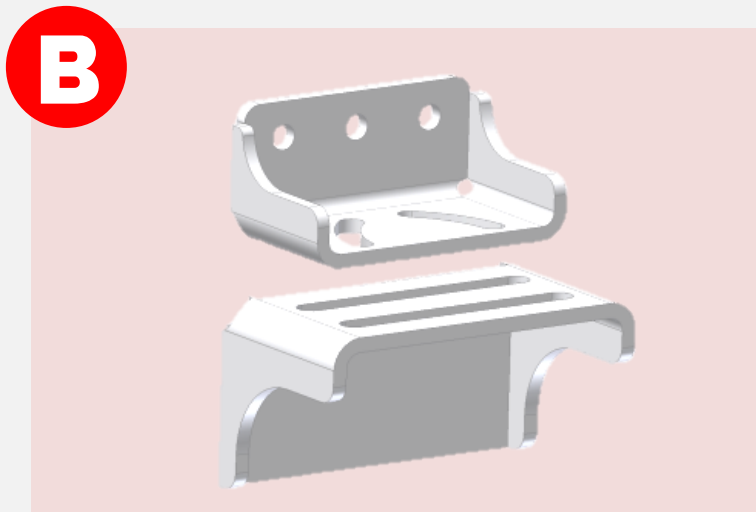
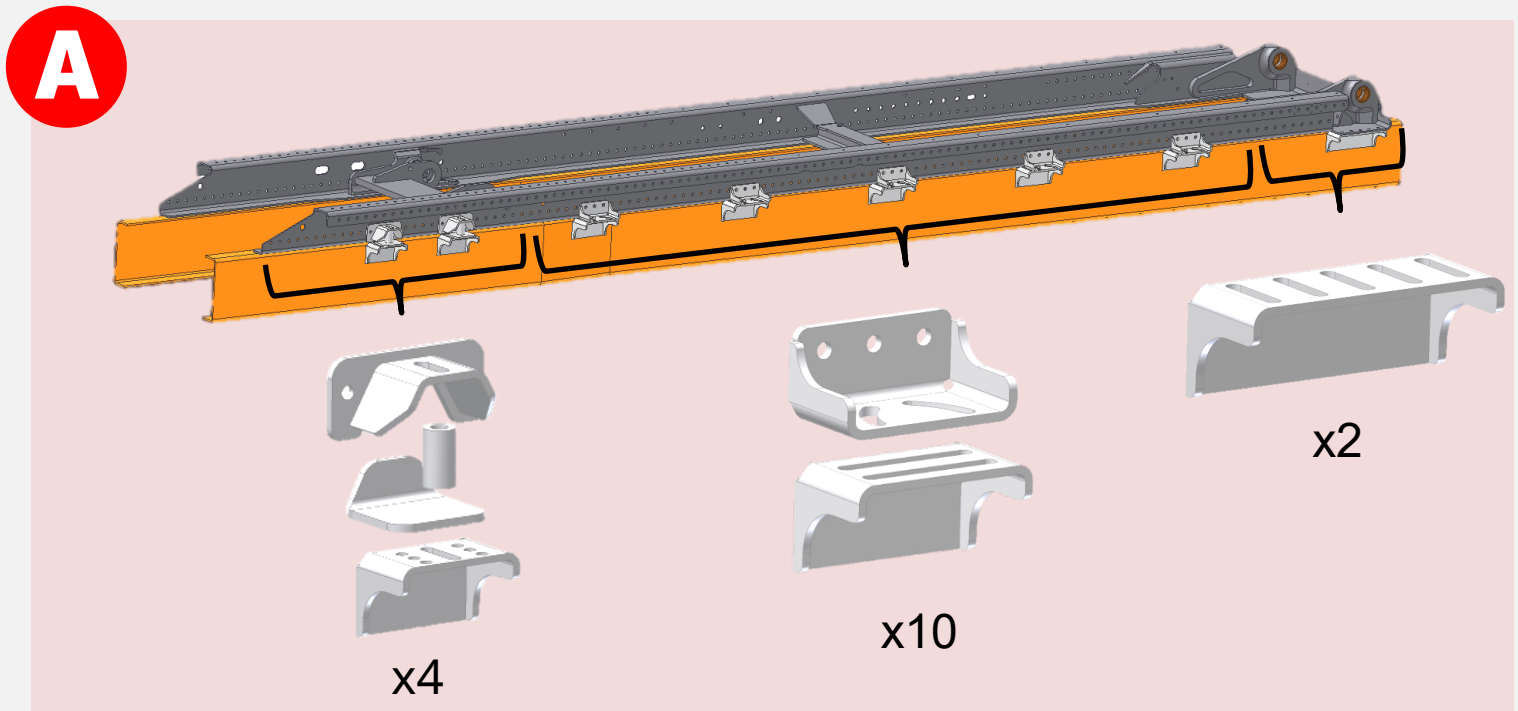


Applicable range

AMPLIROLL® HIGH

11 - Generic fixings for other chassis widths

Reference	Description	Letter
129314F	Chassis fixings	A
129338K	Additional intermediate mount	B
117083E	Shim for front mounting	C



4 - FIXINGS

MARREL

12 - Generic fixings
for other chassis widths

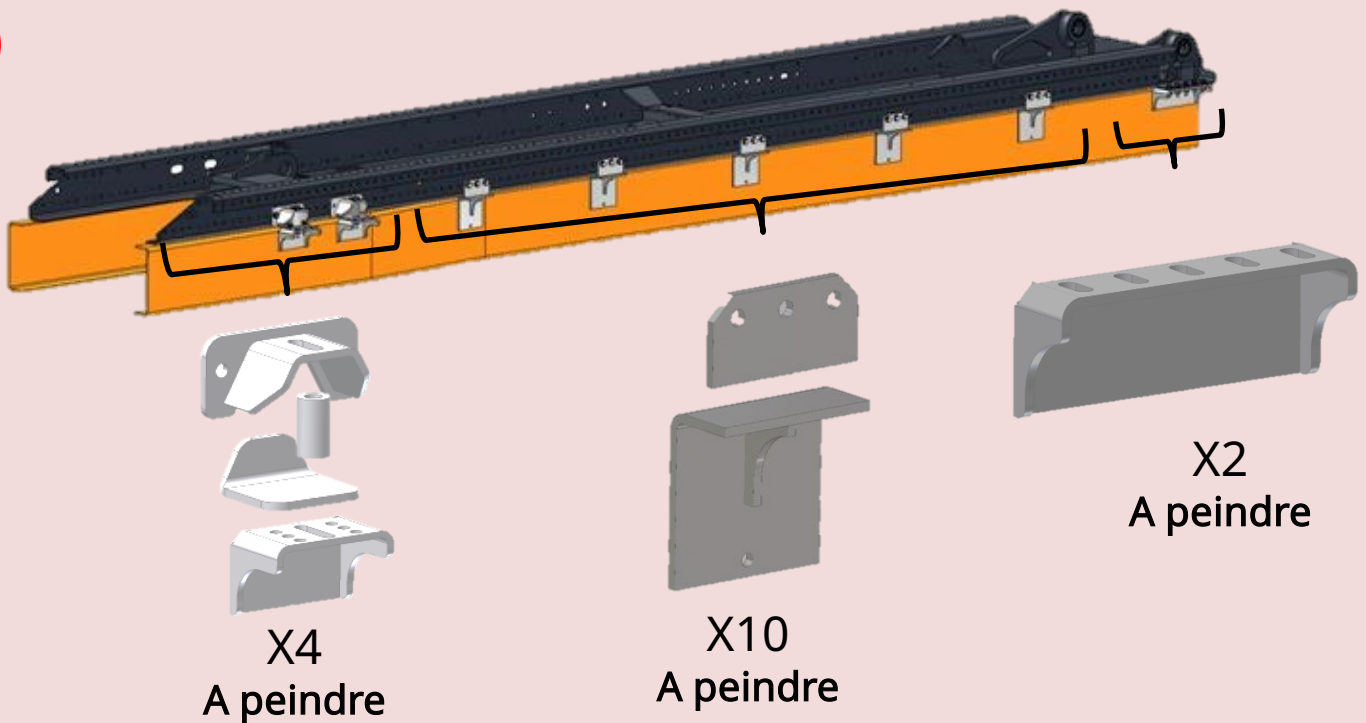
WELDED

Applicable range

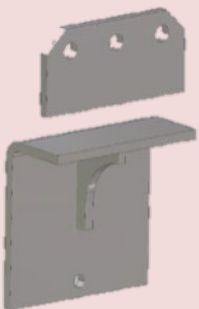
AMPLIROLL® HIGH

Reference	Description	Letter
118815R	fixings for other widths	A
118844W	Additional intermediate mount	B
117083E	Shim for front mounting	C
118927R	EP8 shim, 3 holes	D

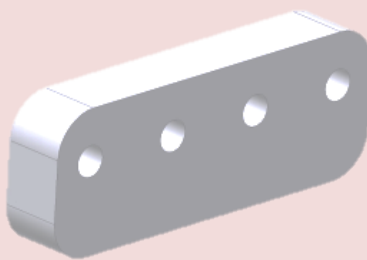
A



B



C



D



Note: For use with MAN TGM, provide additional EP shims 118927R (Qty 14).

13 - Fasteners for mounting

To be defined according to vehicle and bodywork specifications

Ø14 fasteners :

Reference	Description
118506U	Box of 50 bolts : m14x40-c10.9
117781N	Box of 50 bolts : m14x50-c10.9
117786K	Box of 50 bolts : m14x70-c10.9
117787L	Box of 50 bolts : m14x80-c10.9
117788V	Box of 100 conical washers ø14
117789W	Box of 100 flat washers ø14
117784R	Box of 200 nuts : m14-c10
120363L	Box of 25 bolts : m14x130-c10.9

Ø16 fasteners :

Reference	Description
117782P	Box of 25 bolts : m16x130-c10.9
117783Q	Box of 50 bolts : m16x45-c10.9
119538U	Box of 50 bolts : m16x70-c10.9
117785J	Box of 200 nuts : m16-c10
117790T	Box of 100 flat washers ø16

Applicable range

AMPLIROLL® HIGH

14 - Accessories

Reference	Description	Illustration
463402W	Spacer for semi-flexible front mounting	
118771C	Shim - 1 hole	
117574N	Shim - 2 holes	
117573M	Shim - 5 holes	

5 – ACCESORIES for AL3PA

MARREL

Applicable range

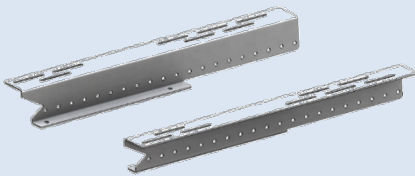
AMPLIROLL® URBAN

Applicable equipment

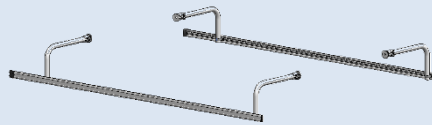
AL3PA

Reference	Description	Letter
128485Q	AL3PA frame extension kit for rear cab trunk	A
128430B	Side protection kit	B
128432D	Dual wheel mount fender set	C
128672B	400x300 mudflap set for dual wheel fender	D
128992R	Single wheel mount fender set	E
128993S	Mudflap set for single wheel fender	F

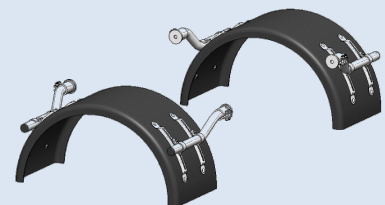
A



B



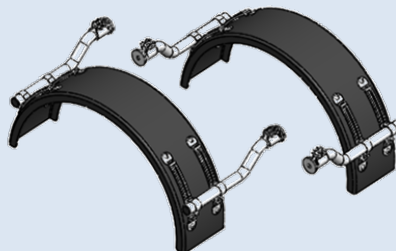
C



D



E



F



6 - STABILIZERS

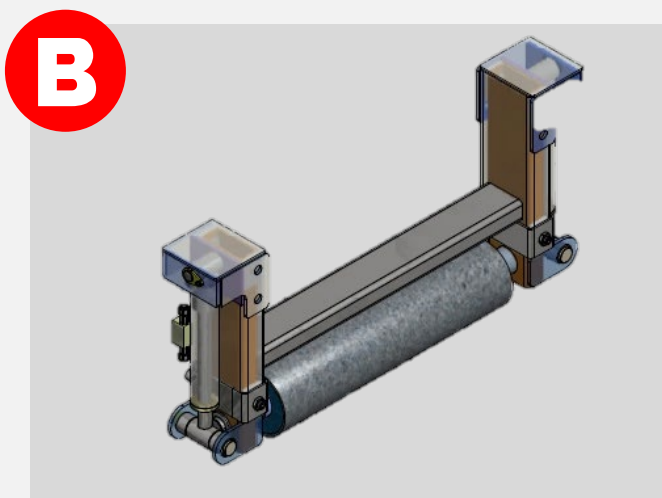
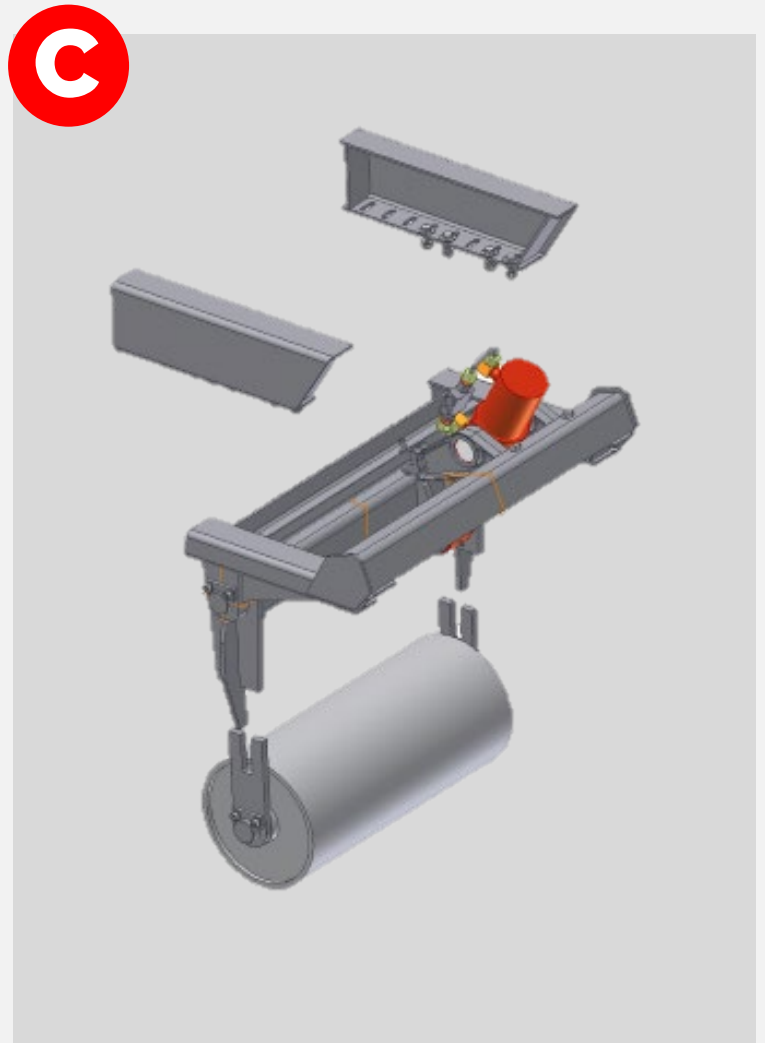
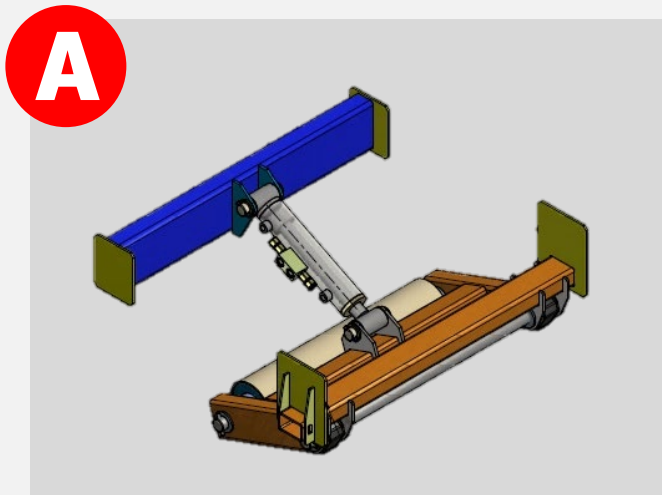
MARREL

Applicable range

AMPLIROLL® URBAN
AMPLIROLL® FLEX

- Roller Stabilizer

Reference	Description	Equipment	Letter
120116D	Foldable Chassis Stabilizer	AL3PA - AL4 /5	A
120117E	Vertical Side Chassis Stabilizer	AL6- 8 - 10 - 12	B
099230B	Chassis Crossmember Stabilizer	AL8 - 10 - 12	C



6 - STABILIZERS

MARREL

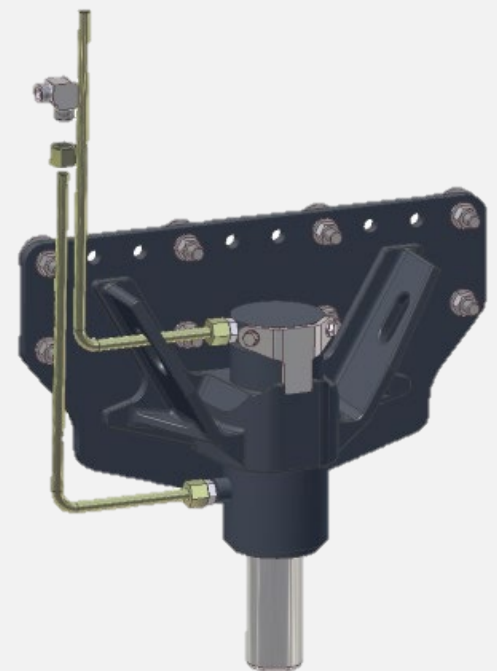
MARREL Recommendations

Suspension Lock Selection Guide (for reference only)

Brand	Range	Cylinder Stroke
Renault	C380	100
	K380	120
	K440 Heavy	120
Volvo	CBX	120
	FMX	100
Mercedes	ACTROS	120
	AROCS	120
Scania	CB	120
Iveco	TRAKKER	120
Man	TGX	100
	TGS	100
Daf	CF	120

Applicable range

AMPLIROLL® HIGH

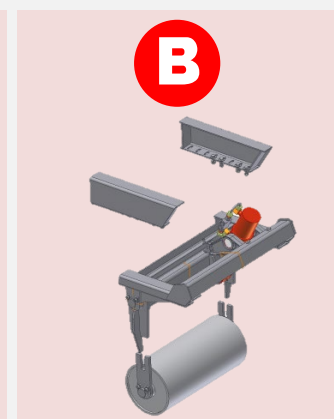
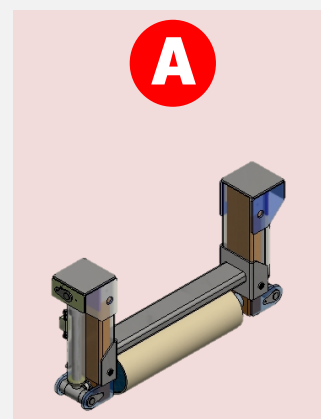


- Suspension Lock

Reference	Description
116258G	100mm stroke cylinder kit with mounting brackets
117038Q	120mm stroke cylinder kit with mounting brackets
119853Y	150mm stroke cylinder kit with mounting brackets

- Roller Stabilizer

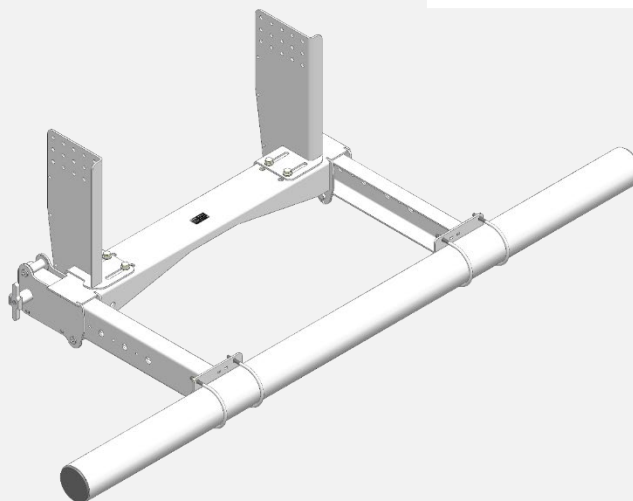
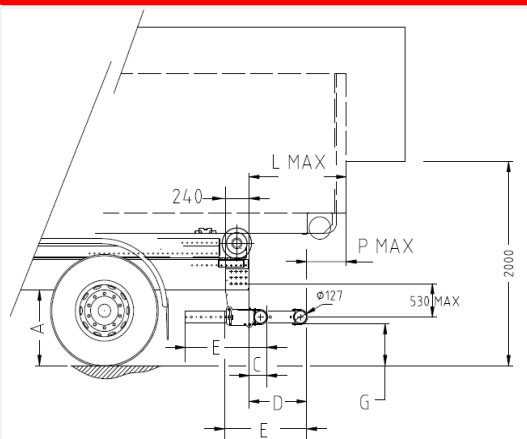
Reference	Description	Letter
125790B VAL03151 / VAL03152	Vertical Side Chassis Stabilizer	A
100781A VAL03146 / VAL03147	Chassis Crossmember Stabilizer	B



TELESCOPIC RUP PTC ≤ 12T

Applicable range

AMPLIROLL® FLEX



Telescopic RUP

Unperforated Flanges	C	D		L max	PTC ≤ 8T P max	PTC < 8T P max	Weight Kg
127112D	178	690	941	990	300	300	150
	178*	590	839*	890	300	300	150
		490	737*	790			
		390	635*	690			
		290	533*	590			

*Possibility to cut the arms or 100mm sections to modify the telescopic stroke

Suspension Types	G (Empty)	A (Empty)
	450mm maxi	705 to 940mm
	500mm maxi	755 to 990mm

Selection Criteria: GVW ≤ 12T
Minimum Chassis + Subframe Inertia:
GVW ≤ 12T: 77 cm⁴

Equipment Overhang:
see table

Chassis Width Between 750 and 900 mm
Chassis Mounting with Class 10.9 Bolts (not supplied)
Refer to Assembly Instructions and User Manual

RUP SAFETY – Prohibition of Arm or Body Movement if RUP Extended
096808Z ELECTRICAL EQUIPMENT – Double-Acting Control Prohibited

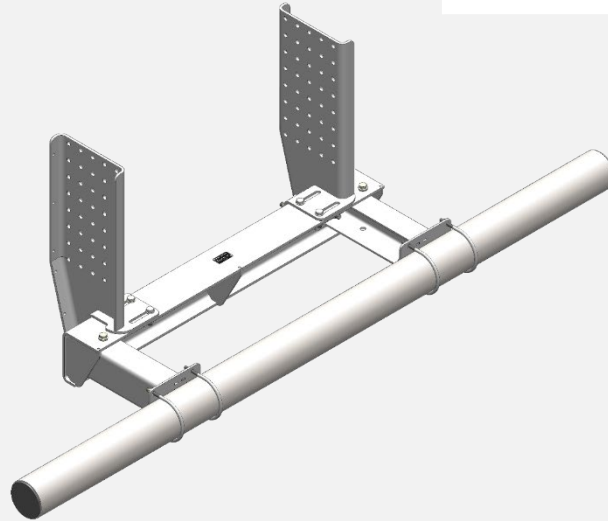
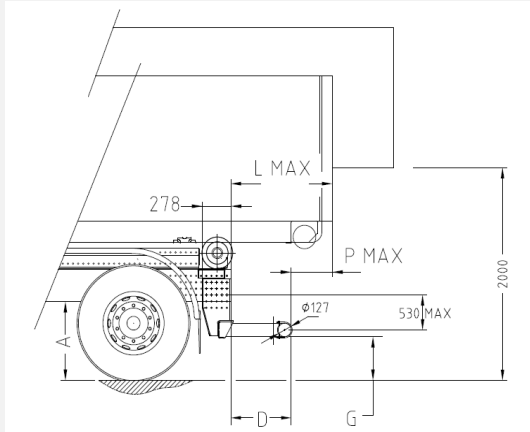
7 – REAR UNDER RUN PROTECTION

MARREL

FIXED RUP

Applicable range

AMPLIROLL® HIGH



FIXED RUP	Unperforated Flanges	Perforated Flanges				D	L max	P max	Weight Kg
		Renault/Volvo	Mercedes	Iveco	Scania				
240	128232B	128229Y	128228X	128231A	128230Z	240	540	300	130
320	128237G	128234D	128233C	128236F	128235E	320	620		132
390	128239L	128239L	128238K	128241N	128240M	390	690		134
470	128244R	128244R	128243Q	128246T	128245S	470	770		136
540	128249W	128249W	128248V	128251Y	128250X	540	840		138

Suspension Types	G (Empty)	A (Empty)
	450mm maxi	705 to 940mm
	500mm maxi	755 to 990mm

Selection Criteria : ALL PTC
Minimum Chassis + Subframe
Inertia:

- PTC ≤ 16T : 161cm⁴
- PTC > 16T : 261 cm⁴

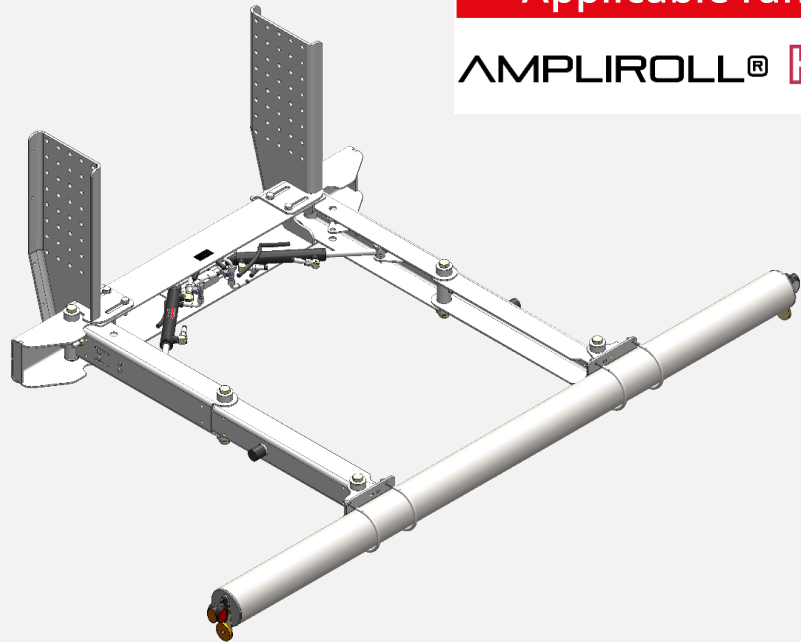
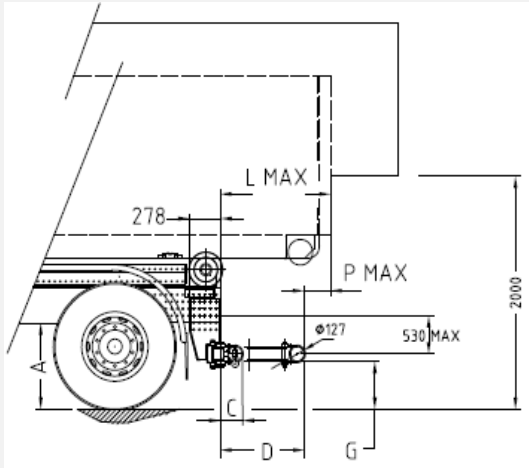
Equipment Overhang:
see table

Chassis Width Between 750 and 900 mm
Chassis Mounting with Class 10.9 Bolts (not supplied)
Refer to Assembly Instructions and User Manual

PANTO RUP

Applicable range

AMPLIROLL® HIGH



PANTO RUP	Unperforated Flanges	Perforated Flanges				C	D	L max	P max	Weight Kg	
		Renault/Volvo	Mercedes	Iveco	Scania						
Hydraulic	L	128211C	128208Z	128207Y	128210B	128209A	195	1350	1650	300	180
	M	128206X	128203U	128202T	128205W	128204V		1050	1350		175
	S	128200R	128197N	128196M	128199Q	128198P		750	1050		170
Manual S	128218M	128215G	128214F	128217L	128216K	750	1050			160	

Suspension Types	G (Empty)	A (Empty)
	450mm maxi	705 to 940mm
	500mm maxi	755 to 990mm

Selection Criteria : ALL PTC Minimum Chassis + Subframe Inertia:

- PTC ≤ 16T : 161cm⁴
- PTC > 16T : 261 cm⁴

Equipment Overhang: see table

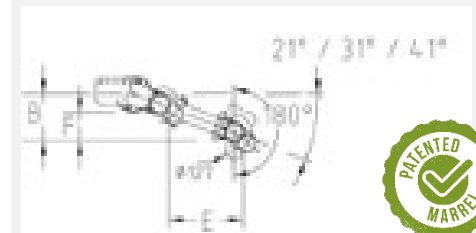
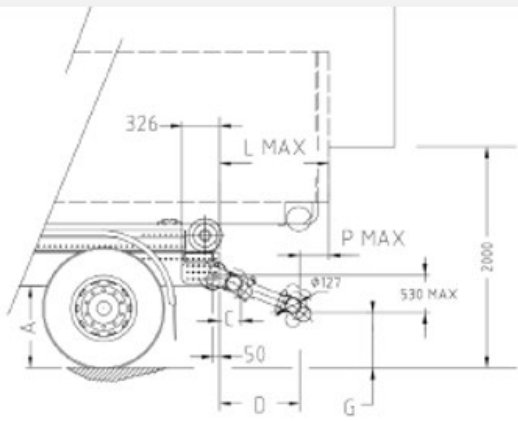
Chassis Width Between 750 and 900 mm
 Chassis Mounting with Class 10.9 Bolts (not supplied)
 Refer to Assembly Instructions and User Manual

RUP SAFETY – Prohibition of Arm or Body Movement if RUP Extended
 096808Z ELECTRICAL EQUIPMENT – Double-Acting Control Prohibited

INCLINED RUP

Applicable range

AMPLIROLL® HIGH



INCLINED RUP	Unperforated Flanges	Perforated Flanges				Weight Kg	
		Renault/Volvo	Mercedes	Iveco	Scania		
S	Offset bar	128262M	128259G	128258F	128261L	128260K	180
	Straight bar	128267S	128264P	128263N	128266R	128265Q	170
XS	Offset bar	128921L	128918F	128917E	128920K	128919G	175
	Straight bar	128926R	128923N	128922M	128925Q	128224P	165

INCLINED RUP (Offset and straight bar)		C	D	L max	P max	B	E	F
S	21°	215	748	1048	300	341	535	205
	31°	200	688	988	300	463	491	295
	41°	179	609	909	300	573	432	376
XS	21°	213	588	888	300	285	375	154
	31°	197	541	841	300	381	344	250
	41°	177	478	778	300	468	301	337

Suspension Types	G (Empty)	A (Empty)
	450mm maxi	705 to 940mm
	500mm maxi	755 to 990mm

Selection Criteria : ALL PTC
Minimum Chassis + Subframe
Inertia:

- PTC ≤ 16T : 161cm⁴
- PTC > 16T : 261 cm⁴

Equipment Overhang:
 see table

Chassis Width Between 750 and 900 mm
 Chassis Mounting with Class 10.9 Bolts (not supplied)
 Refer to Assembly Instructions and User Manual

RUP SAFETY - Prohibition of Arm or Body Movement if RUP Extended
 096808Z ELECTRICAL EQUIPMENT - Double-Acting Control Prohibited

Applicable range

AMPLIROLL® HIGH

- Side underrun protection kits: **FIXED**

Reference	Description	Applicable equipment	Illustration
122148P	Fixed side underrun protection kit : <ul style="list-style-type: none"> • 2 profiles, length 5 m • 2 fixed brackets • 2 upper mounting components • 4 straight end caps for profiles 	AL14 to AL22 - ALBA	
125232T	Fixed side underrun protection kit : <ul style="list-style-type: none"> • 2 profiles, length 5 m • 2 fixed brackets • 2 upper mounting components • 4 straight end caps for profiles 	AL20SL to AL26SL	
122149Q	Fixed side underrun protection kit : <ul style="list-style-type: none"> • 2 profiles, length 5 m • 2 fixed brackets • 2 upper mounting components • 4 straight end caps for profiles 	AL14 to AL22 - ALBA - AL20SL à AL26SL	

- Side underrun protection kits: **LIFT-UP**

Reference	Description	Applicable equipment	Illustration
122365L	Fixed side underrun protection kit : <ul style="list-style-type: none"> • 2 profiles, length 5 m • 2 fixed brackets • 2 upper mounting components • 4 straight end caps for profiles 	AL14 to AL22 - ALBA	
125231S	Fixed side underrun protection kit : <ul style="list-style-type: none"> • 2 profiles, length 5 m • 2 fixed brackets • 2 upper mounting components • 4 straight end caps for profiles 	AL20SL to AL26SL	
122367N	Fixed side underrun protection kit : <ul style="list-style-type: none"> • 2 profiles, length 5 m • 2 fixed brackets • 2 upper mounting components • 4 straight end caps for profiles 	AL14 to AL22 - ALBA - AL20SL to AL26SL	

COMPONENTS

Applicable range

AMPLIROLL® HIGH

- Brackets

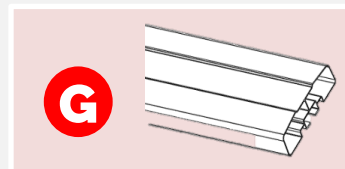
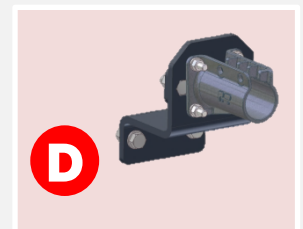
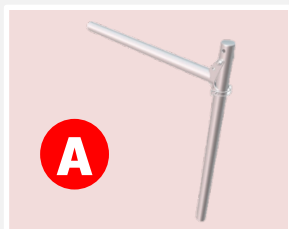
Reference	Description	Letter
122147N	Tube support for side protection - Ø48	A
117770E	Foldable side protection support - Ø48	B
118139T	Reinforcement bar side protection onto chassis	C

- Fasteners

Reference	Description	Letter
117405N (Excluding S range) 125156F (SL range)	Top bracket for fixed support + bolts - ø 48 mm	D
117397M	Lower bracket for fixed support + bolts - ø 48 mm	E
117887H	Clamp for alu profile + bolts - ø 48 mm	F

- Accessories

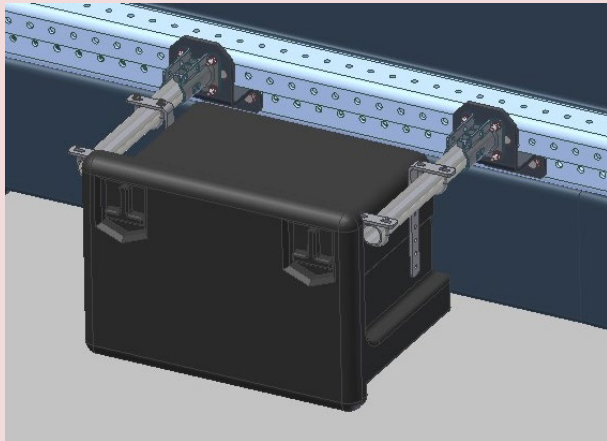
Reference	Description	Letter
122151S	Side protection alu profile 5m	G
122152T	Side protection alu profile 3m	G
103186M	Front protection bumper one profile	H
117870T	Front protection bumper two profile	I
122153U	Straight protection element for alu profile	J



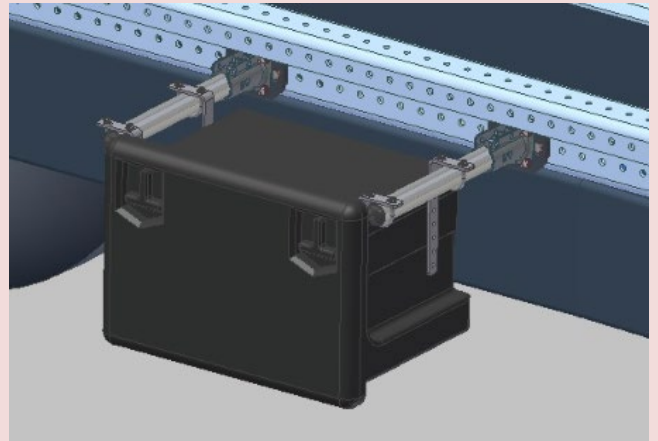
Applicable range

AMPLIROLL® HIGH

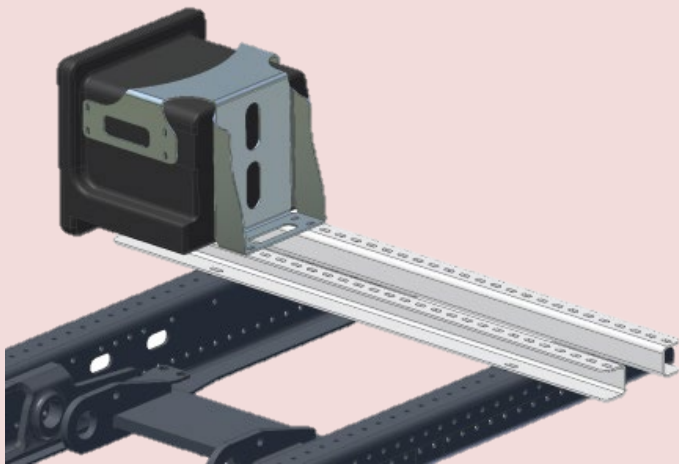
EXAMPLES OF POSSIBLE ACCESSORY INSTALLATIONS ON THE EQUIPMENT FRAME RAILS



Use of support tubes with upper mountings

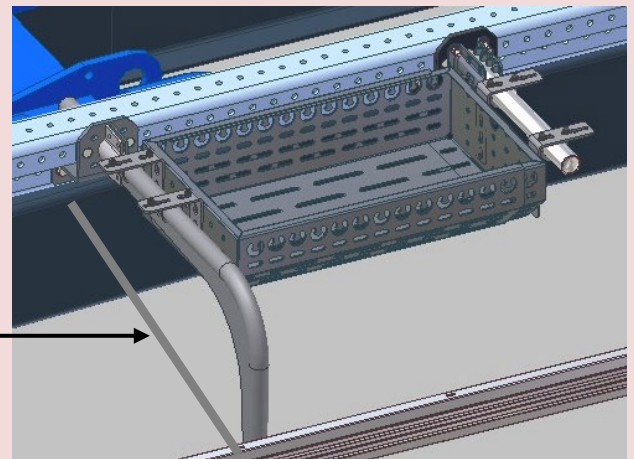


Use of support tubes with lower mountings



Installation of a toolbox on the rear side of the cab

Note: Frame rail extensions must be provided if required.



Use of a side underrun protection tube as a support

Note: When using a fixed side underrun protection bracket as an accessory support, a reinforcement must be installed between the profile and the vehicle chassis..

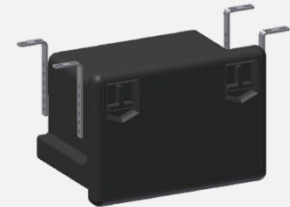
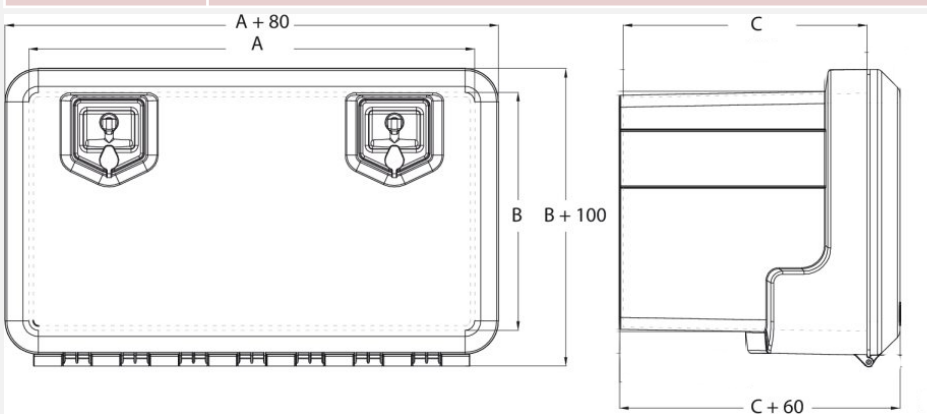
Applicable range

AMPLIROLL® HIGH

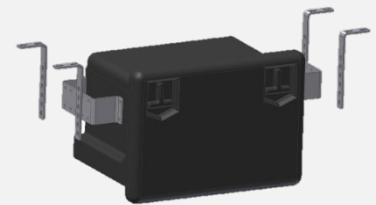
Plastic toolboxes

4 brackets for tube mounting, including fasteners

Reference	Internal dimensions (A × B × C)
118141V	400 x 300 x 340
118142W	550 x 350 x 420
118143X	750 x 400 x 410



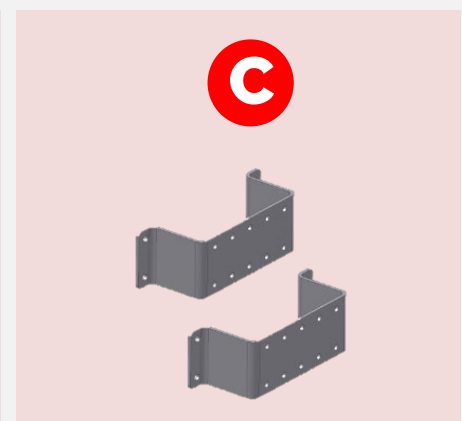
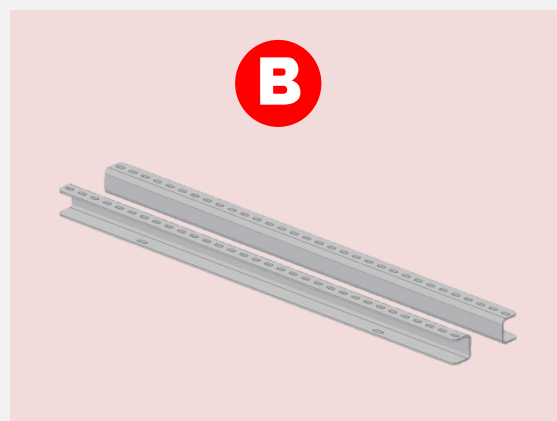
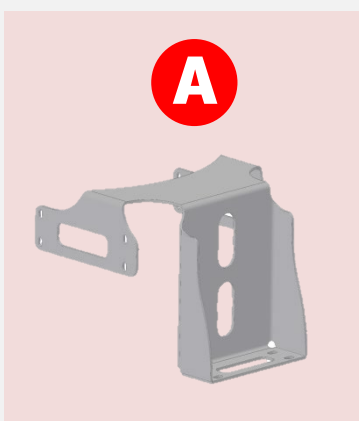
Example: Direct mounting on tube



Example: Installation using side underrun protection brackets

Accessories for plastic toolboxes

Reference	Description	Letter
118224Y	Storage box holder for side installation behind cab only 400x300x340mm	A
117928R	Front traverse for lateral mount	B
118135P	Interface holder for storage box	C



Applicable range

AMPLIROLL® HIGH

Toolbox mounting accessories

Ø42 mm tubes

Reference	Description	Illustration
118230A	Clamp for mounting on fixed side underrun protection	
117419K	Lower mounting component for fixed bracket, including fasteners	
117407Q (excluding SL range) 125153C (SL Range)	Upper mounting component for fixed bracket, including fasteners	
117775X	Bent tube	
136376E	Offset mudguard tube with reinforcement	

Ø48 mm tubes

Reference	Description	Illustration
118229D	Mounting clamp	
117397M	Lower mounting component, including fasteners	
117405N (excluding SL range) 125156F (SL Range)	Upper mounting component, including fasteners	
117886G	Ø 48 mm tube – length 650 mm, with 1 end cap	

Applicable range

AMPLIROLL® HIGH

Tarpaulin bin kit

Reference	Description	Illustration
121537U	Extendable tarpaulin bin kit, 680 to 1230 mm (internal) : Bac + 4 mounting brackets + fasteners	

Side bin kit

Reference	Description	Illustration
117891D	Extendable tarpaulin bin kit, 680 to 1230 mm (internal) : Bac + 4 mounting brackets + fasteners	

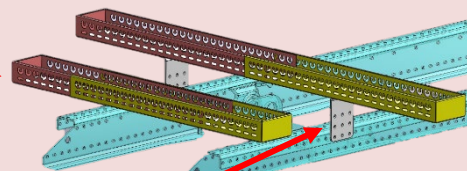
Bar storage bin kit

Reference	Description	Illustration
120531A	Extendable bac	

2 possible installation configurations:

1. Rear-of-cab

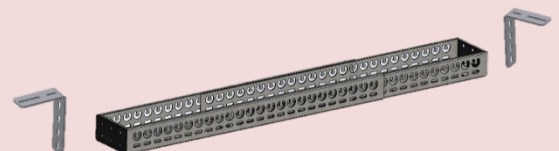
Direct mounting on frame rails or extensions.



Using spacers allowing the installation of a horizontal fire extinguisher box mounted laterally underneath.

Reference	Description
120532B	Pair of spacers

2. Chassis side



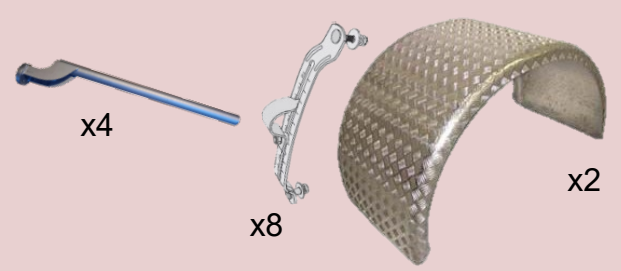
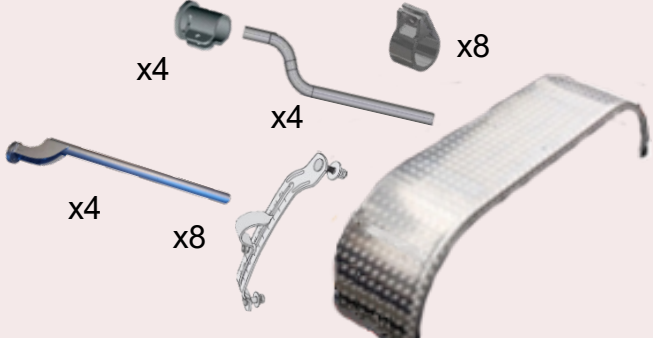
Reference	Description
120534D	Pair of brackets

11 - REAR AXLE MUDGUARDS **MARREL**

Applicable range

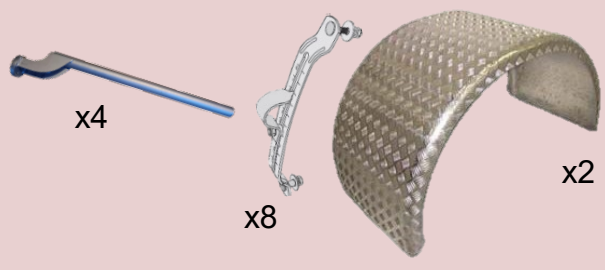
AMPLIROLL® HIGH

Aluminum rear axle mudguard kits – width 680

Reference	Description	Illustration
117895H	<p>Single axle mudguard kit :</p> <ul style="list-style-type: none"> • 2 ribbed aluminum mudguards 126143C • 4 offset mudguard tube with reinforcement • 8 brackets 	
117897B	<p>Tandem axle mudguard kit :</p> <ul style="list-style-type: none"> • 2 ribbed aluminum mudguards 126144D • 4 mounting tubes • 8 clamps • 4 offset mudguard tube with reinforcement • 4 brackets • 8 aluminum clamps 	

SINGLE AXLE CONFIGURATION

Aluminum single axle mudguard kits, length 1300, width 450 and radius 650

Reference	Description	Illustration
132786B	<p>Single axle mudguard kit :</p> <ul style="list-style-type: none"> • 2 aluminum single axle mudguards 132783Y • 4 offset mudguard tube with reinforcement • 8 brackets 	

11 - REAR AXLE MUDGUARDS **MARREL**

Applicable range


AMPLIROLL® HIGH

Rear axle plastic mudguard kits

Reference	Description	Illustration
120471G	<p>Single axle mudguard kit :</p> <ul style="list-style-type: none"> • 2 plastic mudguards 120474M • 4 mounting tubes • 4 clamps • 8 brackets 	
120470F	<p>Tandem axle mudguard kit :</p> <ul style="list-style-type: none"> • 2 plastic mudguards 085007N • 8 mounting tubes • 8 clamps • 8 brackets • 8 aluminum clamps 	

SINGLE AXLE CONFIGURATION

Plastic single axle mudguard kits – width 500 / radius 670

Reference	Description	Illustration
131985S	<p>Single axle mudguard kit (front steering axle on 8×4) :</p> <ul style="list-style-type: none"> • 2 plastic single axle mudguards 128803A • 4 mounting tubes • 4 clamps • 8 brackets 	

Plastic single axle mudguard kits – width 450 / radius 650



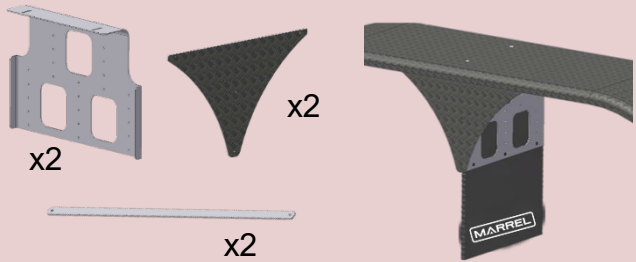

Reference	Description	Illustration
131991Y	<p>Single axle mudguard kit (rear steering axle) :</p> <ul style="list-style-type: none"> • 2 plastic single axle mudguards 129151W • 4 mounting tubes • 4 clamps • 8 brackets 	

11 - REAR AXLE MUDGUARDS **MARREL**

Applicable range

AMPLIROLL® HIGH

Rear axle plastic mudguard kits

Reference	Description	Illustration
120479S	2 x mudflaps for marrel fender	
118215X	2 x anti-spray mudflaps for marrel fender	
119236V	2 x set of special support for anti-spray mudflaps for tandem axle	
109889C	Tool holder on rear tandem fender	

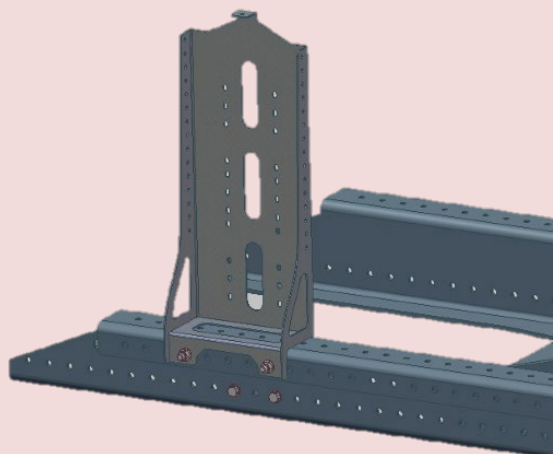
12 - FIRE EXTINGUISHER AND WORK LIGHT BOX

MARREL

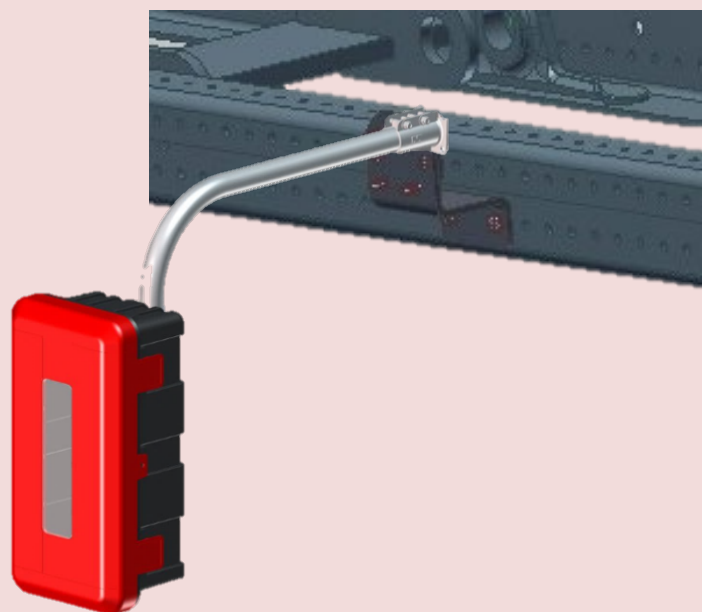
Applicable range

AMPLIROLL® HIGH

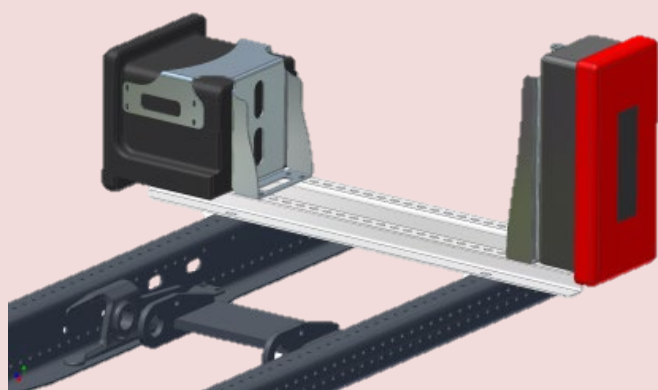
EXAMPLES OF POSSIBLE FIRE EXTINGUISHER BOX INSTALLATIONS



Rear-of-cab side mounting

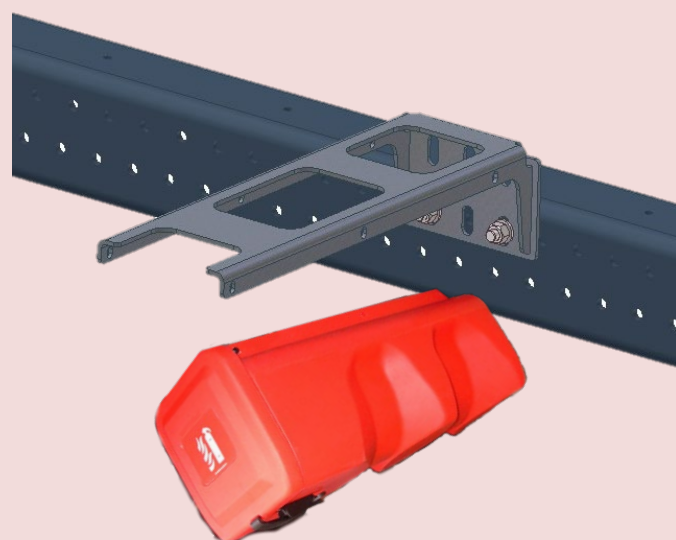


Chassis side mounting configurations



Rear-of-cab side mounting combined with a toolbox and/or rear-of-cab tank

Note: Frame rail extensions must be provided if required.



12 - FIRE EXTINGUISHER AND WORK LIGHT BOX

MARREL

Applicable range

AMPLIROLL® HIGH

Fire extinguisher and box

Reference	Description	Letter
062499Y	Fire extinguisher 6 kg	A
117768G	Fire extinguisher vertical carrier 6 or 9 kg	B
121065G	Fire extinguisher box for 6kg - width 285 mm	C
118129Z	Fire extinguisher horizontal carrier 6 or 9 kg	D



Bracket for fire extinguisher box

Reference	Description	Letter
Pour 6 et 9kg : 117936H Pour 6kg : 121137Q	Box bracket – rear-of-cab mounting on frame rail. Also serves as work light bracket	A
118144Y	Box bracket – horizontal side mounting on frame rail	B
117769H	Box bracket – chassis side mounting Ø 48 mm (specific for 9 kg fire extinguisher)	C
117405N (Excluding SL Range) 125156F (SL Range)	Upper mounting component, including fasteners	D
117397M	Lower mounting component, including fasteners	E
For 6 and 9kg : 117935G For 6kg : 121138R	Box bracket – rear-of-cab mounting on front crossmember. Also serves as work light bracket	F
117928R	Front crossmembers for accessories	G



12 - FIRE EXTINGUISHER AND WORK LIGHT BOX

MARREL



Applicable range

AMPLIROLL® **URBAN**

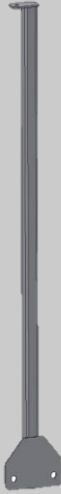
AMPLIROLL® **FLEX**

AMPLIROLL® **HIGH**

Work light

Reference	Description	Illustration
116010P	LED work light 9-32V 4500LM - (2x1 cable, 5 m length)	
117768G	M12 connector for work light (required for radio or wired electric control)	
117910K	Beacon light Ø 153 mm, height 124 mm - 6 units, 3-point mounting	

Work light bracket

Reference	Description	Illustration
116216N	Work light bracket	

Applicable range

AMPLIROLL® HIGH

Additional support kit

Reference	Description	Applicable equipment	Illustration
117917E	2 additional supports kit with centering device	AL14 à AL26 – ALBA	
117918P	2 additional supports kit without centering device	AL14 à AL26 – ALBA	
134751K	Kit of 2 additional pad supports with centering device	AL14 à AL26 – ALBA	
134756Q (supports) 134752L (pad)	Kit of 2 additional pad supports without centering device	AL14 à AL26 – ALBA	

Frame rail extension kit

Reference	Description	Applicable equipment	Illustration
117953J	1 m extension kit	AL14 à AL22 – ALBA- AL20S	
122831Q	1 m extension kit	AL20SL, AL22SL, AL24 et AL26	

Hydraulic box vertical adjustment kit

Reference	Description	Applicable equipment	Illustration
120396X	Box vertical adjustment kit (50-100-150)	AL14 à AL22 – ALBA	

Rear plate

Reference	Description	Applicable equipment	Illustration
135394Q	Rear right junction plate	AL14 à AL22	
135693D	Rear right junction plate with holes for coupler	AL14 à AL22	

Applicable range

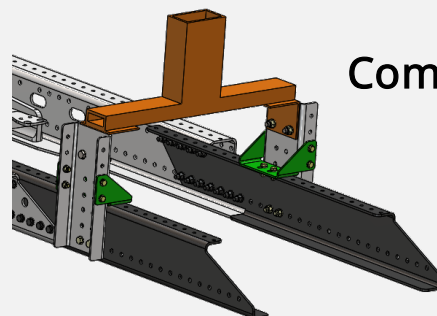
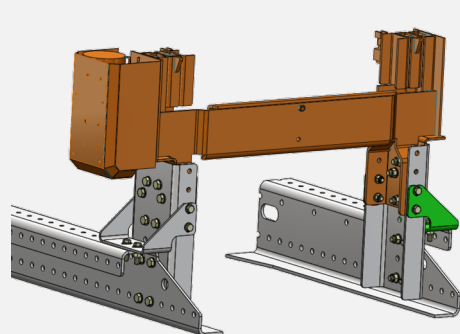
AMPLIROLL® HIGH

Stickers

Reference	Description
107925M	Windshield banner (AMPLIROLL MARREL) Quantity = 1
117963L	Jib sticker (AMPLIROLL) Quantity = 1
117964M	Cylinder sticker (MARREL) Quantity = 1

Tarpaulin system

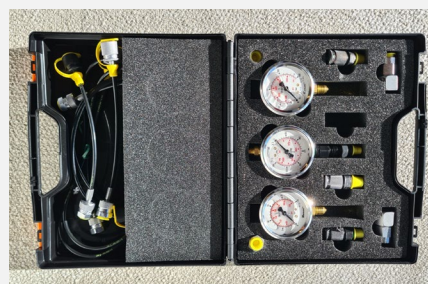
Reference	Description
122862Z	Tipper tarpaulin fixings on frame



Compatible with frame rail extensions

Valise de mesure

Reference	Description
811398W	Measuring case with 3 pressure gauges (0 to 600 bar)



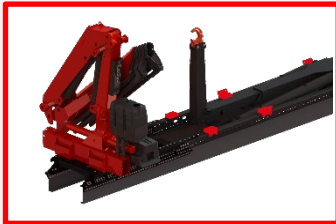
CRANE SUBFRAME 12T/m to 35T/m

Applicable range
For AL S & SL RANGE



- Bodywork on 6x2, 6x4 and 8x4
- fully bolted assembly

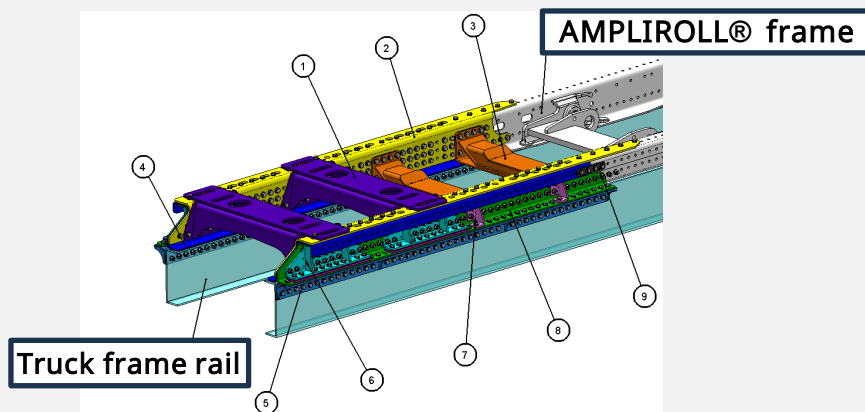
AMPLIROLL® HIGH



NOTE :

Do not include original manufacturer crane mounting plates on the chassis to be bodied.
(Incompatible with the Marrel crane subframe kit)

Recommended for AMPLIROLL S & SL range	Subframe range Crane	12-17T	17-26T	26-40T			
		12-17T	17-26T	29T	33T	36T	38T
18T	IVECO Eurocargo 18T	OK	OK	NOT OK	NOT OK	NOT OK	NOT OK
	Renault D18T	OK	OK	NOT OK	NOT OK	NOT OK	NOT OK
	DAF FA 18T	OK	OK	NOT OK	NOT OK	NOT OK	NOT OK
19T	Mercedes actros 19T	OK	OK	OK	NOT OK	NOT OK	NOT OK
	Scania 19T P	OK	OK	OK	OK	OK	NOT OK
	Renault D19T	OK	OK	OK	OK	NOT OK	NOT OK
	MAN TGM 19T	OK	OK	OK	NOT OK	NOT OK	NOT OK
24T	IVECO stralis 19T	OK	OK	OK	OK	OK	NOT OK
	MAN TGS 24T	OK	OK	OK	OK	NOT OK	NOT OK
26T	Mercedes actros 26T	OK	OK	OK	NOT OK	NOT OK	NOT OK
28T	Iveco stralis 26T	OK	OK	OK	OK	OK	NOT OK
	Renault C26T	OK	OK	OK	OK	OK	OK
	MAN TGS 28T	OK	OK	OK	OK	NOT OK	NOT OK
32T	Renault C32T	OK	OK	OK	OK	OK	OK
	Iveco stralis 32T	OK	OK	OK	OK	OK	OK
35T	MAN TGS 35T	OK	OK	OK	OK	NOT OK	NOT OK
38T	Iveco trakker 38T	OK	OK	OK	OK	OK	OK
40T	MAN TGS 40T	OK	OK	OK	OK	OK	OK

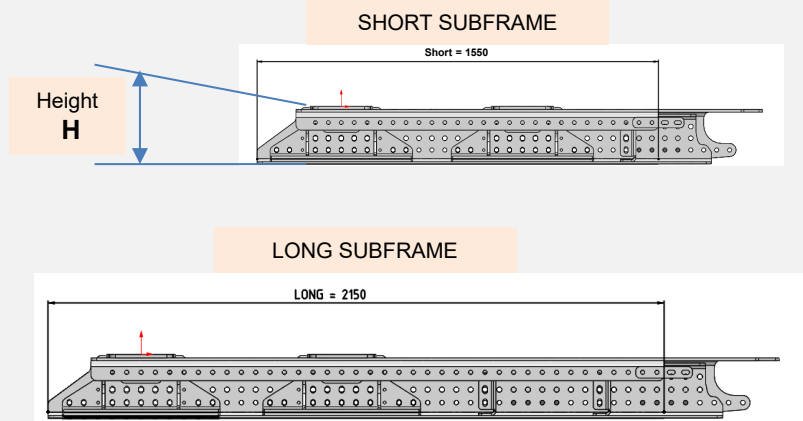
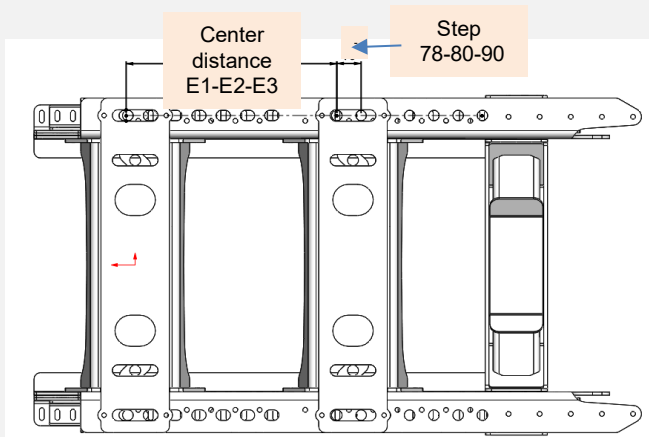


CRANE SUBFRAME 12T/m to 35T/m



- Bodywork on 6x2, 6x4 and 8x4
- fully bolted assembly

Applicable range	Applicable equipment For AL S RANGE
AMPLIROLL® HIGH	AL14 à AL22



S RANGE Crane mounting center distance	SUBFRAME 0 - 30 T.m		SUBFRAME 30 - 35 T.m	
	Short (L1550)	Long (L2150)	Short (L1550)	Long (L2150)
Without drilling	132957W VAL05682 / VAL05683	132958X VAL05688/VAL05689	132959Y VAL05694/VAL05695	132960Z VAL05700/VAL05701
E1 = 677 ±6 ; step = 78 (Maximum center distance 1145 mm)	132887S VAL05684 / VAL05685	132886R VAL05690 / VAL05691	X	X
E2 = 735 ±6 ; step = 80 (Maximum center distance 1215 mm)	132918B VAL05686 / VAL05687	132924K VAL05692 / VAL05693	132933U VAL05696 / VAL05697	132950P VAL05702 / VAL05703
E3 = 855 ±6 ; step = 90 (Maximum center distance 1215 mm)	X	X	132941C VAL05698 / VAL05699	132956V VAL05704 / VAL05705
	Height H = 222		Height H = 242	

SUBFRAME MOUNTING 35T/m MAX

S RANGE 12T/m => 35T/m	Undrilled clamps	Drilled clamps							
		Renault / Volvo	Mercedes Pneumatic suspension	Mercedes Mechanical suspension	Iveco EURO CARGO	Iveco S-WAY X-WAY	Scania	MAN	DAF
Short	VAL05780/VAL05781	133027A VAL05748 / VAL05749	133072B VAL05752 / VAL05753	134497V VAL05756 / VAL05757	134599M VAL05760 / VAL05761	134554L VAL05764 / VAL05765	133066V VAL05768 / VAL05769	VAL05772/VAL05773	VAL05776/VAL05777
Long	VAL05782/VAL05783	133039Q VAL05750 / VAL05751	134492Q VAL05754 / VAL05755	134508G VAL05758 / VAL05759	134610Y VAL05762 / VAL05763	134572E VAL05766 / VAL05767	134616E VAL05770 / VAL05771	AL05774/VAL05775	VAL05778/VAL05779

Crane subframe specific supports

Reference	Description	Illustration
117918P	Set of 2 supports, height 40 mm	

13 - OTHER ACCESSORIES

MARREL

CRANE SUBFRAME 12T/m to 35T/m



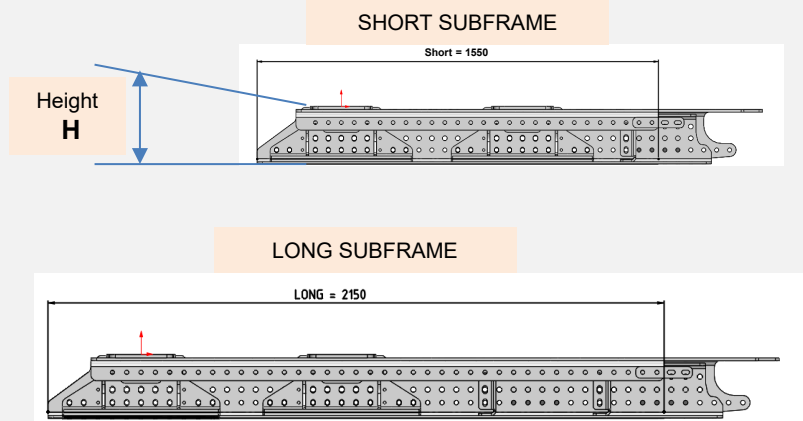
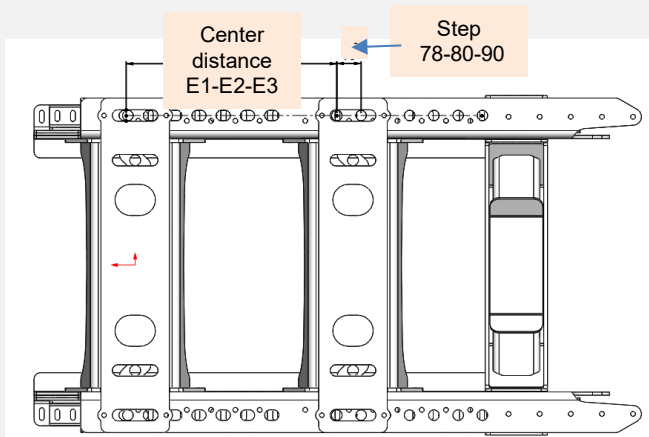
- Bodywork on 6x2, 6x4 and 8x4
- fully bolted assembly

Applicable range

AMPLIROLL®
HIGH

Applicable equipment For AL S & SL RANGE

S Range : AL24 to AL26
SL Range : AL20 to AL26



S & SL RANGE	SUBFRAME 0 - 30 T.m		SUBFRAME 30 - 35 T.m			
	Crane mounting center distance		Short (L1550)	Long (L2150)	Short (L1550)	Long (L2150)
Without drilling	133780E VAL05706 / VAL05707	134097R VAL05712/VAL05713	134134G VAL05718/VAL05719	134137M VAL05724/VAL05725		
E1 = 677 ±6 ; step = 78 (Maximum center distance 1145 mm)	134076S VAL05708 / VAL05709	134104Y VAL05714 / VAL05715	X	X		
E2 = 735 ±6 ; step = 80 (Maximum center distance 1215 mm)	134086C VAL05710 / VAL05711	134111F VAL05716 / VAL05717	134124W VAL05696 / VAL05697	134130C VAL05702 / VAL05703		
E3 = 855 ±6 ; step = 90 (Maximum center distance 1215 mm)	X	X	134141R VAL05722 / VAL05723	134151B VAL05728 / VAL05729		
	Height H = 242		Height H = 247			

SUBFRAME MOUNTING 35T/m MAX

S & SL RANGE	Undrilled clamps	Drilled clamps							
		Renault / Volvo	Mercedes Pneumatic suspension	Mercedes Mechanical suspension	Iveco EURO CARGO	Iveco S-WAY X-WAY	Scania	MAN	DAF
12T/m => 35T/m									
Short	VAL05780/VAL05781	133027A VAL05748 / VAL05749	133072B VAL05752 / VAL05753	134497V VAL05756 / VAL05757	134599M VAL05760 / VAL05761	134554L VAL05764 / VAL05765	133066V VAL05768 / VAL05769	VAL05772/VAL05773	VAL05776/VAL05777
Long	VAL05782/VAL05783	133039Q VAL05750 / VAL05751	134492Q VAL05754 / VAL05755	134508G VAL05758 / VAL05759	134610Y VAL05762 / VAL05763	134572E VAL05766 / VAL05767	134616E VAL05770 / VAL05771	AL05774/VAL05775	VAL05778/VAL05779

Crane subframe specific supports

Reference	Description	Illustration
117918P	Set of 2 supports, height 40 mm	

IMPORTANT:

It is necessary to verify and comply with the regulations specific to each lighting reference (angle and position of the license plate illumination, etc.) before installation on the support.

Applicable range

AMPLIROLL® **URBAN**

AMPLIROLL® **FLEX**

AMPLIROLL® **HIGH**

LIGHT SUPPORT KIT

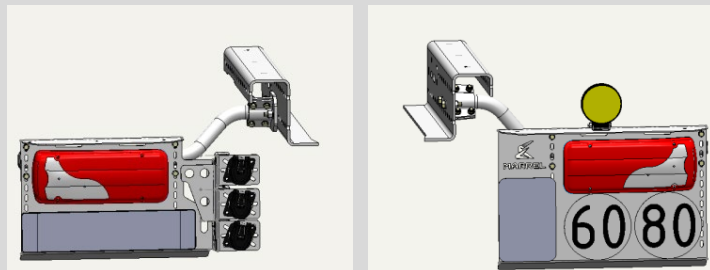
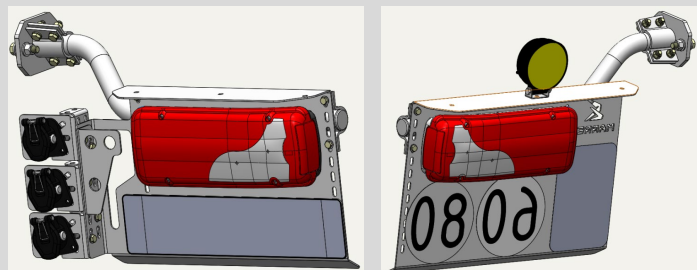
Reference	Description	Letter
130762B	Kit of 2 light supports with interface for electrical connectors and air lines	A
130761A	Kit of 2 light supports with interface for electrical connectors and air lines	B

A

Mounting on Ampliroll® frame

OR

Mounting on chassis

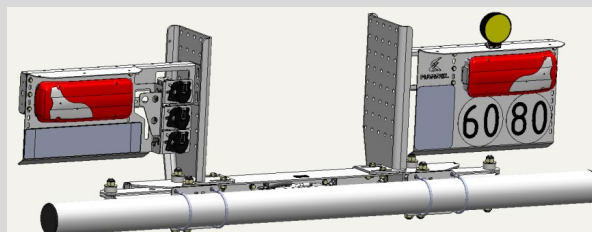
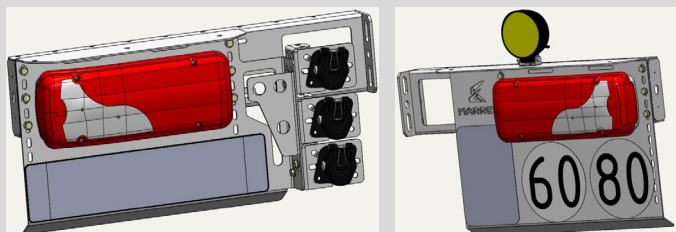


B

Mounting on BAE support

OR

Mounting on chassis



CONES / CONE HOLDERS

Reference	Description	Letter
128899L	Cone holder	A
128898K	500mm cones class 1	B

Applicable range

AMPLIROLL® **URBAN**

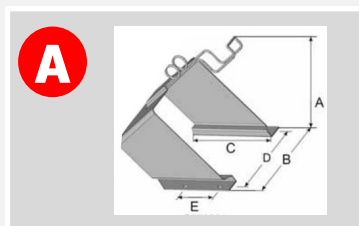
AMPLIROLL® **FLEX**

AMPLIROLL® **HIGH**



WHEEL CHOCKS

Reference	Description	Letter
084773Y	Wheel chock support	A
132824V	Wheel chocks	B

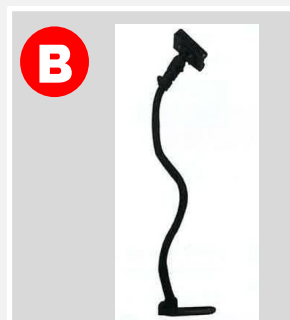


Dimensions (mm)				
A	B	C	D	E
290	250	120	225	80



FIT DRIVE ELECTRICAL CONTROL SUPPORT

Reference	Description	Letter
134488L VAL05609	Short clamp support	A
132714V VAL05503	Long hose support	B



Applicable range

AMPLIROLL® URBAN
 AMPLIROLL® FLEX
 AMPLIROLL® HIGH

BNA TRAXION HOOK

Mounting recommendation on original manufacturer crossmembers:

- For arm devices, single, double, or triple bins, etc.
- Rear chassis mounting
- On 160x100 mm and 260x100 mm crossmembers
- Camera with connection to manufacturer's dashboard screen

Without MUDFLAPS 	132825W + 132827Y (External spacer)	132826W	132825W + 132828Z (External spacer)	132825W + Remove original crossmember reinforcement	132825W	132825W	132825W
With MUDFLAPS 	132830B + 132827Y (External spacer)	132829A	132830B + 132828Z (External spacer)	132830B + Remove original crossmember reinforcement	132830B	132830B	132830B

Manufacturer compliance R55 VS-UTAC 012*19


Applicable range

AMPLIROLL® **URBAN**

AMPLIROLL® **FLEX**

AMPLIROLL® **HIGH**

MG HOOK

Reference	Description	Illustration
121486M	MG5 tow hook with long mudflaps	

JUST ROCKINGER RO * 50 BNA HOOK

Reference	Description	Illustration
124166F	Tow hook for ø 68mm ring	

Applicable range

AMPLIROLL® **URBAN**

AMPLIROLL® **FLEX**

AMPLIROLL® **HIGH**

Camera with shutter

Reference	Description	Illustration
121437E	Complete standard kit with shutter camera option 1	

KIT composition:

121438F		Monitor only	1
121439G		20-meter cable	1
121440K		Shutter cameras	1
121441L		3-wire cable	1

Option to force camera shutter opening without reverse gear

124652K		Camera shutter control	1
---------	--	------------------------	---

Applicable range

AMPLIROLL® **URBAN**

AMPLIROLL® **FLEX**

AMPLIROLL® **HIGH**

Camera with fixed cover

Reference	Description	Illustration
125032R	Complete standard kit with fixed cover camera option 1	

KIT composition:

121438F		Monitor only	1
121439G		20-meter cable	1
125033S		Camera with fixed cover	1
121441L		3-wire cable	1

Additional camera

Reference	Description
121442M	150° camera + 10 meters of cable

Applicable range

AMPLIROLL® **URBAN**

AMPLIROLL® **FLEX**

AMPLIROLL® **HIGH**

KIT composition:

121443N		150° camera	1
121479C		10-meter cable	1

121439G		20-meter cable Optional order
---------	---	---

14 - SIGNALING EQUIPMENT

MARREL

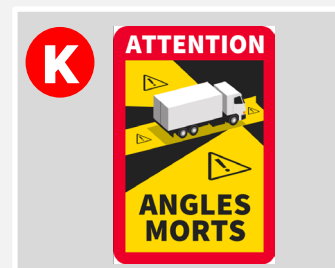
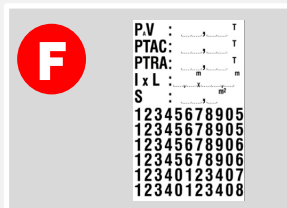
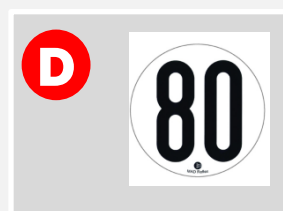
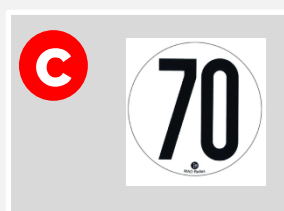
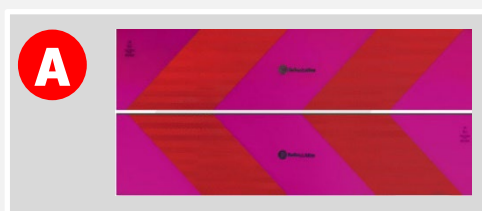
Reference	Description	Letter
122265W	Rear truck inclined marking plate - 2 x 565x130	A
122266X	Speed limitation 60 km/h	B
122267Y	Speed limitation 70 km/h	C
122268Z	Speed limitation 80 km/h	D
122269A	Speed limitation 90 km/h	E
122270B	Weight label	F
122273E	Side reflector stripes red	G
122274F	Side reflector stripes white	G
122275G	Side reflector stripes yellow	G
122271C	ADR marking rectangular plate 400x 300	H
122272D	ADR marking diamond shape plate 300x 300	I
122437S	Aluminum angle for fender	J
126869C	Sticker rear dead angle	K

Applicable range

AMPLIROLL® **URBAN**

AMPLIROLL® **FLEX**

AMPLIROLL® **HIGH**



A large industrial machine, possibly a lathe or mill, is the central focus of the image. The machine is dark-colored with a prominent red component at the top. The background shows a factory environment with overhead lights and structural elements. A worker is visible in the lower right, focused on his work.

Find out more about
our solutions & expertise

MARREL.com

